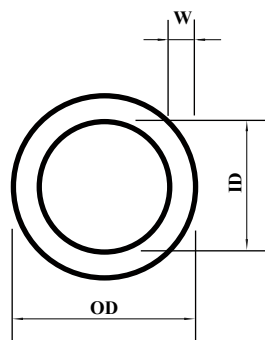


CONVOLVE TUBE

http://www.ptfe.com.tw E-mail:lanshiuon@ptfe.com.tw
 http://www.seal-ptfe.com

Mm Tube Type		單位: mm	
外境× 內徑 Tube size O.D×I.D	W Thickness	容許誤差 Tolerance	
		外徑 O.D	管壁 Thickness
3×2	0.5	±0.10	± 0.1
4×3	0.5		
4×2	1.0		
6×4	1.0	±0.12	± 0.1
8×6	1.0		
10×8	1.0		
12×10	1.0		
19×15.8	1.6	±0.20	± 0.15
25×22	1.5		

Inch Tube Type		單位: mm	
外境× 內徑 Tube size O.D×I.D	W Thickness	容許誤差 Tolerance	
		外徑 O.D	管壁 Thickness
3.18×2.18 (1/8"×0.086)	0.5	±0.2	± 0.1
6.35×3.95 (1/4"×5/32")	1.2		± 0.1
9.5×6.35 (3/8"×1/4")	1.6 (1/16")	±0.25	± 0.15
12.7×9.5 (1/2"×3/8")			
19×15.8 (3/4"×5/8")			
25.4×22.2 (1"×7/8")			



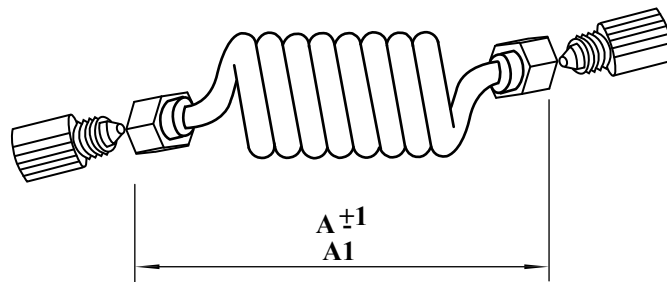
mm

OD x ID	A	A1
4x2	6m	9m
4x3		
6x4	6m	9m
8x6		
10x8	6m	9m
12x10		
19x15.8	6m	9m
23x20		
25x22		

inch

OD x ID
1/8"x0.082
1/4"x0.171
3/8"x0.296
1/2"x3/8"
3/4"x5/8"
1"x7/8"

* 長度的選擇可依設計上需求來訂制!



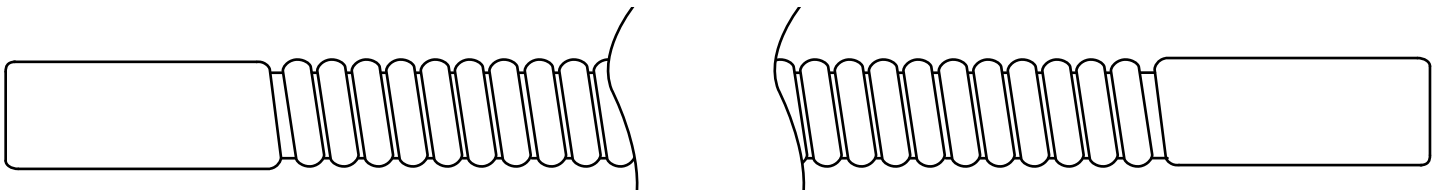
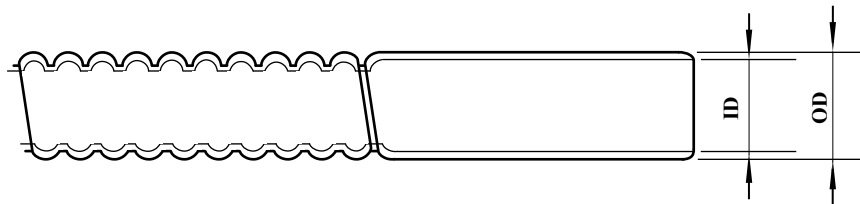
*我們提供顧客不同尺寸, 不同規格補助設計上需求滿足您的需求

mm

OD	2D	L
8	6	300mm
10	8	
12	10	4000mm
15.8	12.7	
19	16	
25	22	

inch

OD	ID	L
3/8"	/0.296"	300mm
1/2"	3/8"	
3/4"	5/8"	4000mm
1"	7/8"	

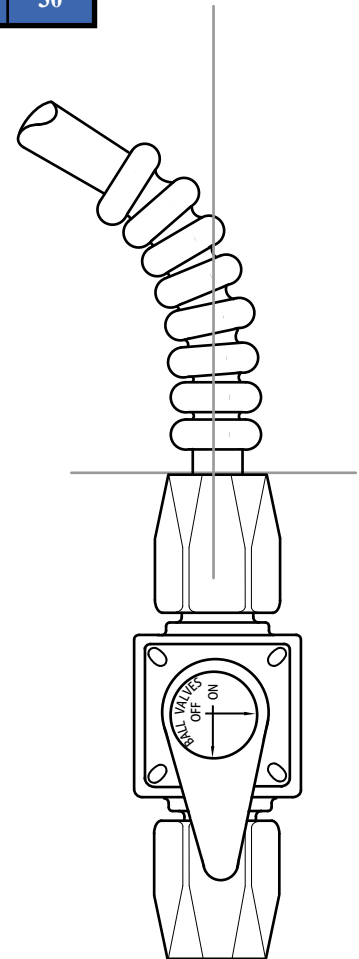
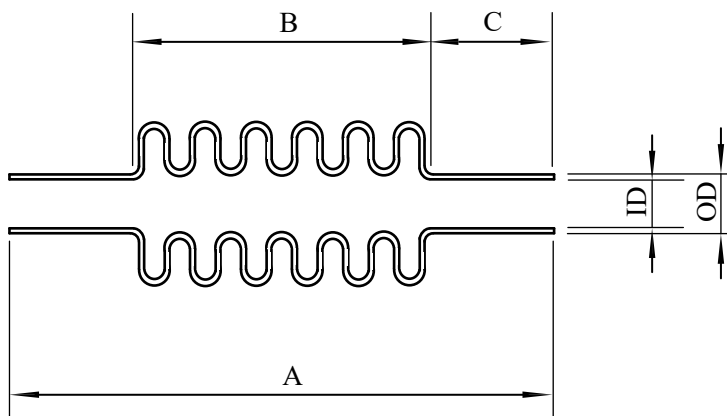


* 長度可依設計上來選擇需求!

SHOCKPROOF ELBOW

<http://www.ptfe.com.tw> E-mail: lanshiuon@ptfe.com.tw
<http://www.seal-ptfe.com>

Mm Tube Type				
NO.	OD x ID	A	B	C
CPAB-N006	8x6	40	15	12
CPAB-N008	10x8	40	15	12
CPAB-N0010	12x10	55	25	15
CPAB-N0016	19x15.8	85	35	25
CPAB-N0022	25x22	110	50	30
Inch Tube Type				
NO.	OD x ID	A	B	C
CPAB-I008	3/8"x1/4"	40	15	12
CPAB-I0010	1/2"x3/8"	55	20	15
CPAB-I0016	3/4"x5/8"	85	35	25
CPAB-I0022	1"x7/8"	110	50	30

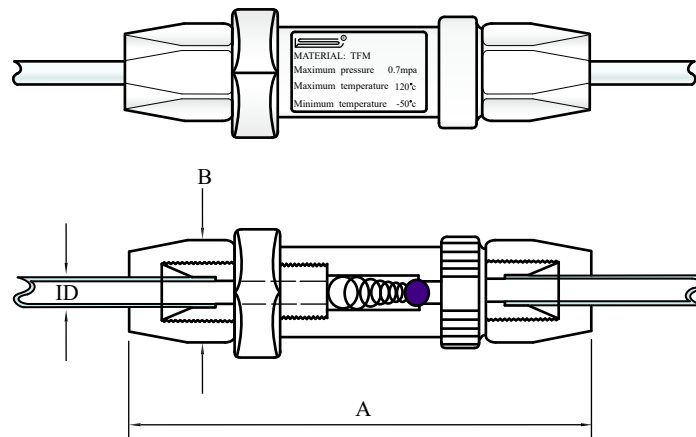


CHECK VALVE

http://www.ptfe.com.tw E-mail:lanshiuon@ptfe.com.tw
 http://www.seal-ptfe.com

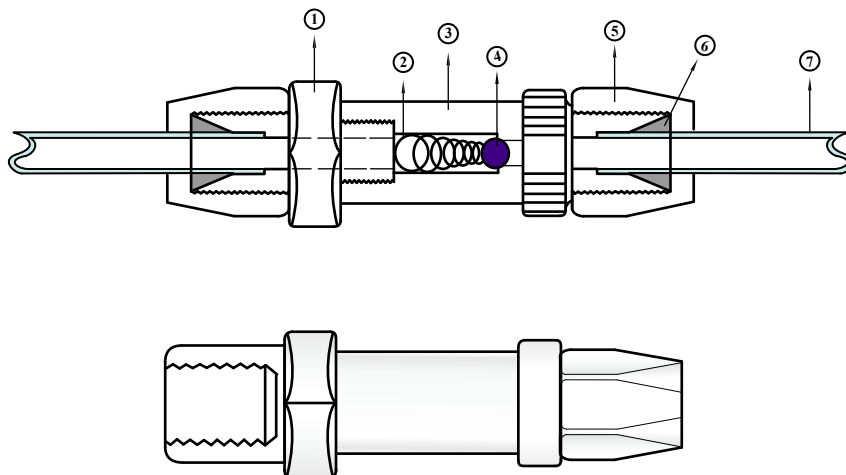
Mm Tube Type			
NO.	OD x ID	A	B
CPAB-N002	4x2	50	12
CPAB-N004	6x4	58	16
CPAB-N006	8x6	63.5	18.55
CPAB-N008	10x8	70	22
CPAB-N0010	12x10	80	25
CPAB-N0016	19x15.8	90	45
CPAB-N0022	25x22	105	50
Inch Tube Type			
NO.	OD x ID	A	B
CPAB-I004	1/8"x0.086"	50	16
CPAB-I006	1/4"x5/32"	63.5	18.55
CPAB-I008	3/8"x1/4"	70	22
CPAB-I0010	1/2"x3/8"	80	25
CPAB-I0016	3/4"x5/8"	90	45
CPAB-I0022	1"x7/8"	105	50

型式	Check valve
操作方式	Automatic
動作	Stem90°
最高使用壓力	0.7mpa
最高使用溫度	120°C
最低使用溫度	-50°C
常態使用溫度	60°C



	KIMDS	PART NAME	MATERIAL
液體接觸部份	①	CAP	TFM
	②	SPRING	SUS316
	③	BODY	TFM
	④	BALL	PEEK , PCTFE , PVDF
	⑤	UNION NUT	TFM
	⑥	PRIMARY SEAL	PTFE
	⑦	TUBE	PFA, PTFE, FEP

ITEM	PART NAME	MATERIAL
①	CAP	TFM
②	SPRING	SUS316
③	BODY	TFM
④	BALL	PTEE
⑤	UNION NUT	TFM
⑥	PRIMRY SEAL	PTEE
⑦	TUBE	PFA , EFP , PTFE

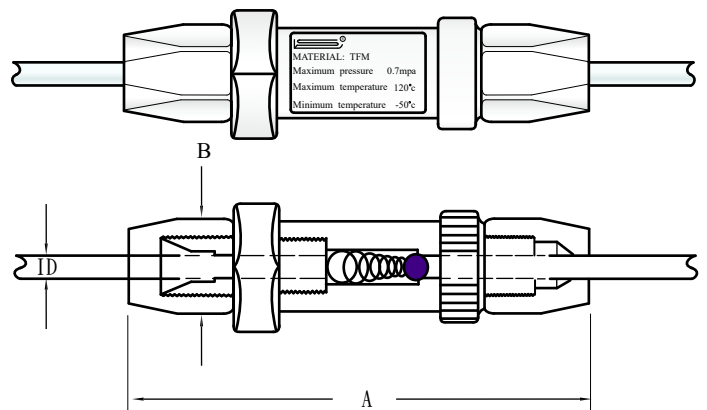


CHECK VALVE

http://www.ptfe.com.tw E-mail:lanshiuon@ptfe.com.tw
 http://www.seal-ptfe.com

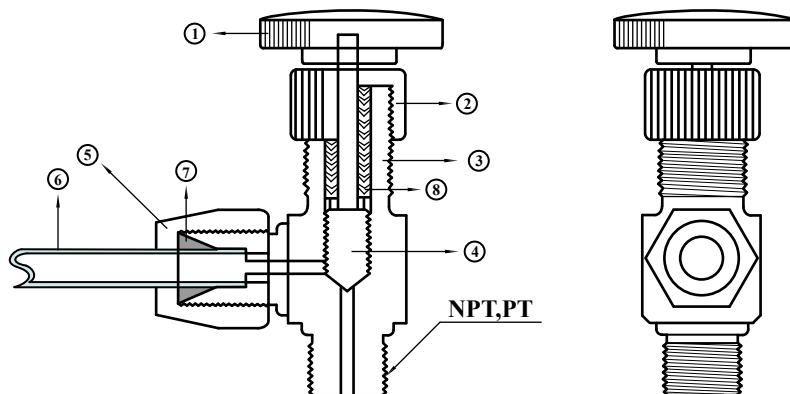
Mm Tube Type			
NO.	OD×ID	A	B
CPAB-N002	4×2	50	12
CPAB-N004	6×4	58	16
CPAB-N006	8×6	63.5	18.55
CPAB-N008	10×8	70	22
CPAB-N0010	12×10	80	25
CPAB-N0016	19×15.8	90	45
CPAB-N0022	25×22	105	50
Inch Tube Type			
NO.	OD×ID	A	B
CPAB-I004	1/8"× 0.086"	58	16
CPAB-I006	1/4"× 5/32"	63.5	18.55
CPAB-I008	3/8"× 1/4"	70	22
CPAB-I0010	1/2"× 3/8"	80	25
CPAB-I0016	3/4"× 5/8"	90	45
CPAB-I0022	1"× 7/8"	105	50

型式	Check valve
操作方式	Automatic
動作	Stem90°
最高使用壓力	0.7mpa
最高使用溫度	120°C
最低使用溫度	-50°C
常態使用溫度	60°C



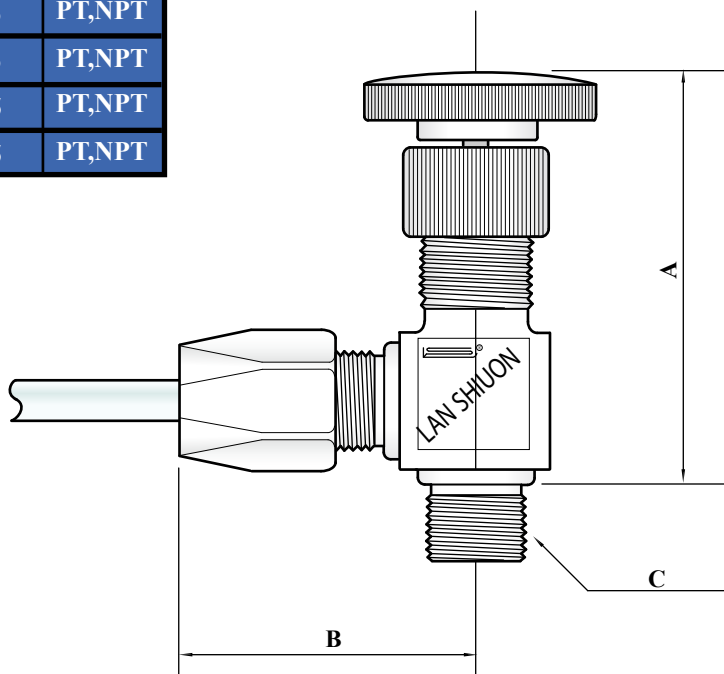
ITEM	PART NAME	MATERIAL
①	HANDLE	PVDF , POM
②	GLAND	TFM
③	BODY	TFM
④	NEEDLE	PVDF , PEEK , PCTFE
⑤	CAP	TFM
⑥	TUBE	PTFE , TEA , FEP
⑦	PRIMAPY SEAL	PTEE
⑧	GLAND PACKING	PTEE

型式	L-needle Valves
操作方式	手動
動作	環繞360度
最高使用壓力	0.9mpa
最高使用溫度	120°C
最低使用溫度	-50°C
常態使用溫度	60°C



Mm Tube Type				
NO.	OD x ID	A	B	C
CPAB-N002	4x2	65	28	PT,NPT
CPAB-N004	6x4	68	28	PT,NPT
CPAB-N006	8x6	68	33	PT,NPT
CPAB-N008	10x8	72	33	PT,NPT
CPAB-N0010	12x10	72	33	PT,NPT
CPAB-N0016	19x15.8	85	45	PT,NPT
CPAB-N0022	25x22	105	65	PT,NPT
Inch Tube Type				
NO.	OD x ID	A	B	C
CPAB-I004	1/8"x0.086"	65	28	PT,NPT
CPAB-I006	1/4"x5/32"	68	28	PT,NPT
CPAB-I008	3/8"x1/4"	72	33	PT,NPT
CPAB-I0010	1/2"x3/8"	72	33	PT,NPT
CPAB-I0016	3/4"x5/8"	85	45	PT,NPT
CPAB-I0022	1"x7/8"	105	65	PT,NPT

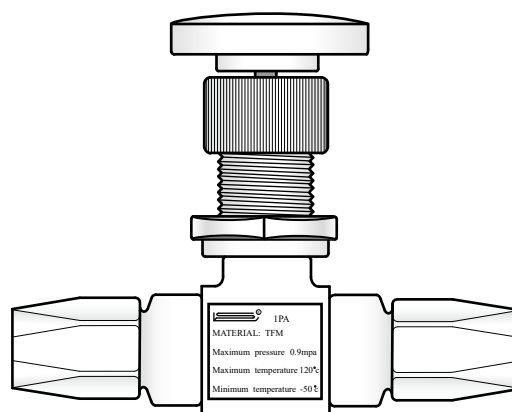
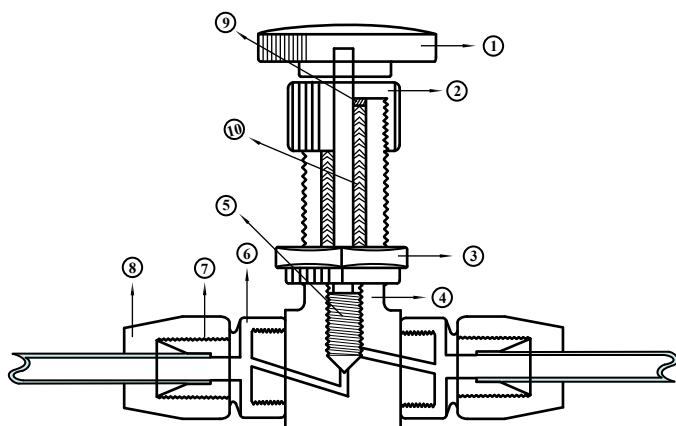
型式	Check valve
操作方式	Automatic
動作	Stem90°
最高使用壓力	0.7mpa
最高使用溫度	120°C
最低使用溫度	-50°C
常態使用溫度	60°C



用途：藥物劑
 溶劑
 純水輸送
 半導體連接
 各種化學工業液體

ITEM	PART NAME	MATERIAL
①	HANDLE	PVDF , POM
②	GLAND	TFM
③	END CAP	PVDF , TFM
④	BODY	TFM
⑤	NEEDLE	PVDF , PEEK , PCTFE
⑥	BONNET BOLTS	TFM
⑦	PACKING	PTEE
⑧	CAP	TFM
⑨	WASH	PTEE
⑩	GLAND PACKING	PTEE

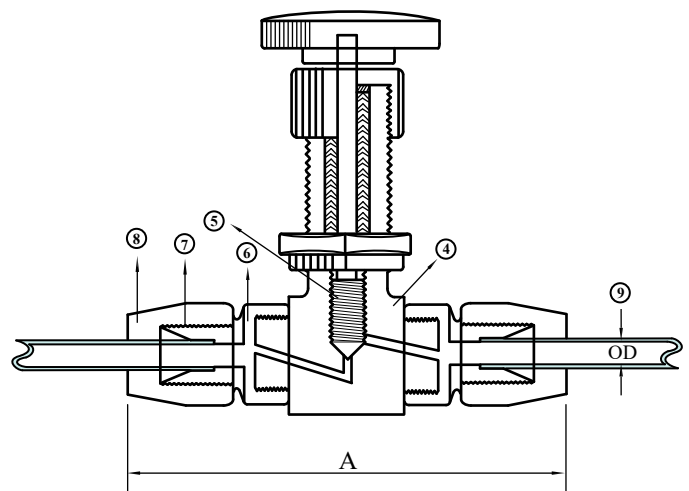
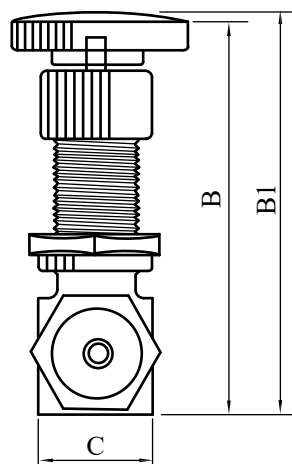
型式	Needle Valves
操作方式	手動
動作	環繞360度
最高使用壓力	0.9mpa
最高使用溫度	120°C
最低使用溫度	-50°C
常態使用溫度	60°C



TFM-1PA NEEDLE VALVES

	KIMDS	PART NAME	MATERIAL
液體接觸部份	④	BODY	TFM
	⑤	NEEDLE	PVDF, PEEK, PCTFE
	⑥	BONNET BOLTS	TFM
	⑦	PACKING	PTFE
	⑧	CAP	TFM
	⑨	TUBE	PTFE, TFA, FEP

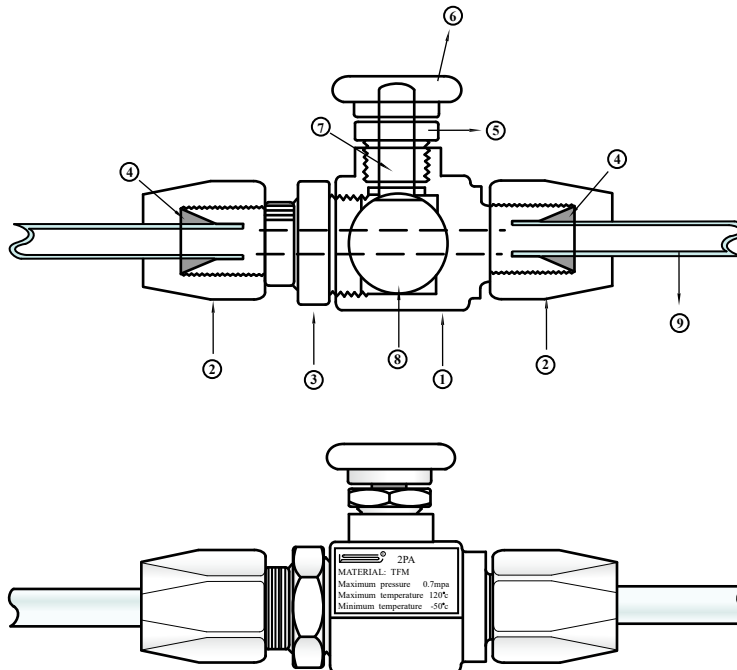
NO.	OD x ID	A	B (全開高度)	B1 (全開高度)	C
1PA-N004	6x4	56	70	73	18
1PA-N006	8x6	60	70	73	20
1PA-N008	10x8	60	70	73	22
1PA-N0010	12x10	60	70	73	22
1PA-N0016	19x16	70	85	88	30
1PA-N0022	25x22	105	100	105	38
Inch Tube Type					
NO.	OD x ID	A	B (全開高度)	B1 (全開高度)	C
1PA-N004	1/8"x0.086"	56	70	73	18
1PA-N006	1/4"x5/32"	60	70	73	20
1PA-N008	3/8"x1/4"	60	70	73	22
1PA-N0010	1/2"x3/8"	60	70	73	22
1PA-N0016	3/4"x5/8"	70	85	88	30
1PA-N0022	1"x7/8"	105	100	105	38



用途：藥物劑
 溶劑
 純水輸送
 半導體連接
 各種化學工業液體

ITEM	PART NAME	MATERIAL
①	BODY	TFM
②	UNION NUT	TFM
③	CAP	TFM
④	PRIMARY SEAL	PTEE
⑤	GLAND	TFM
⑥	HANDLE	PVDF, PCTFE, POM
⑦	STEM	PEEK, PCTFE, PVDF
⑧	BALL	PEEK, PCTFE, PVDF
⑨	TUBE	PFA, PTFE, FEP

型式	Ball valve
操作方式	Hand
動作	Stem90°
最高使用壓力	0.7mpa
最高使用溫度	120°C
最低使用溫度	-50°C
常態使用溫度	60°C

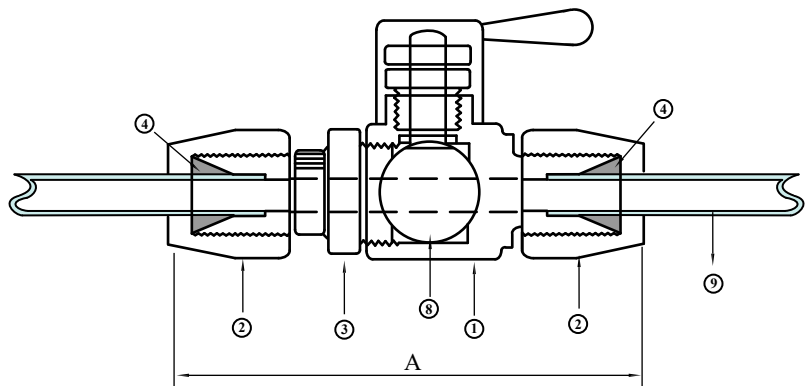
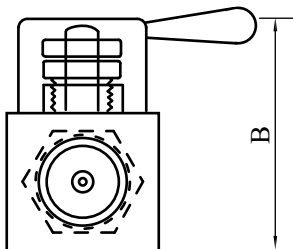


TFM-2PA BALL VALVE

http://www.ptfe.com.tw E-mail:lanshiuon@ptfe.com.tw
 http://www.seal-ptfe.com

Mm Tube Type					
NO.	OD x ID	A	B	C	D
2PA-N002	4x2	62	38	12	32
2PA-N004	6x4	62	38	12	32
2PA-N006	8x6	94	58	16	32
2PA-N008	10x8	94	58	19	50
2PA-N0010	12x10	94	58	19	55
2PA-N0016	19x15.8	108	73	26	60
2PA-N0022	25x22	120	75	32	65
Inch Tube Type					
NO.	OD x ID	A	B	C	D
2PA-I004	1/8"x0.086"	62	38	12	32
2PA-I006	1/4"x5/32"	62	38	16	32
2PA-I008	3/8"x1/4"	94	58	19	50
2PA-I0010	1/2"x3/8"	94	58	19	55
2PA-I0016	3/4"x5/8"	108	73	26	60
2PA-I0022	1"x7/8"	120	80	32	65

	KIMDS	PART NAME	MATERIAL
液體接觸部份	①	BODY	TFM
	②	UNION NUT	TFM
	③	CAP	TFM
	④	PRIMARY SEAL	PTFE
	⑧	BALL	PEEK, PCTFE, PVDF
	⑨	TUBE	PFA, PTFE, FEP



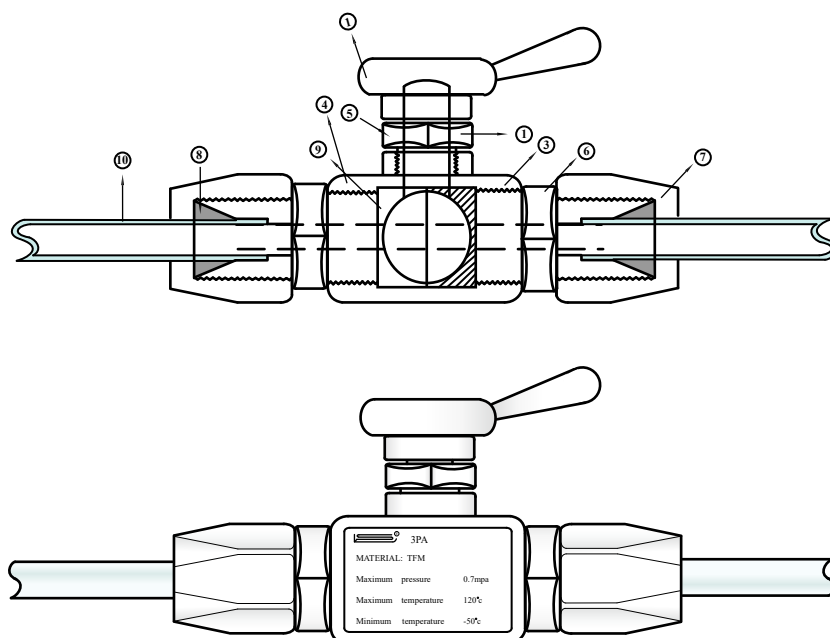
用途：藥物劑
 溶劑
 純水輸送
 半導體連接
 各種化學工業液體

*** 3PA BALL VALVE**

內襯SEAT結構設計
 為可替換SEAT詳細
 規格如34頁

ITEM	PART NAME	MATERIAL
①	HANDLE	PVDF , POM
②	STEM	PEEK , PCTFE , PVDF
③	BALL	PEEK , PCTFE , PVDF
④	BODY	TFM
⑤	GLAND	TFM
⑥	CAP	TFM
⑦	UNION NUT	TFM
⑧	PRIMARY SEAL	PTEE
⑨	SEAT	PTEE
⑩	TUBE	PFA , PTFE , FEP

型式	Change Ball valve
操作方式	Hand
動作	Stem90°
最高使用壓力	0.7mpa
最高使用溫度	120°C
最低使用溫度	-50°C
常態使用溫度	60°C



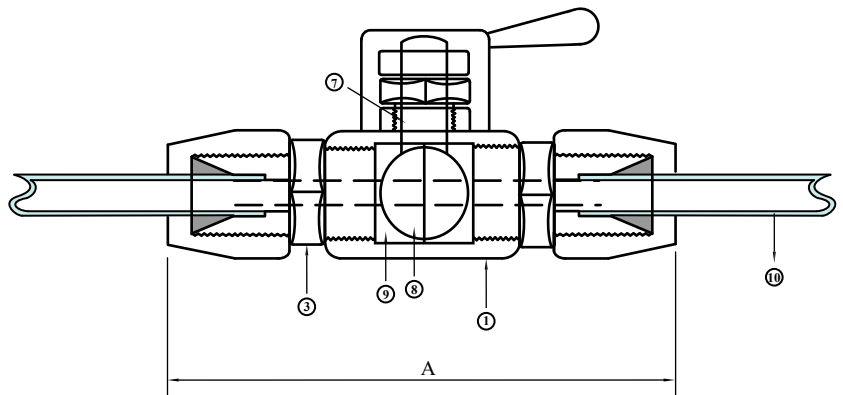
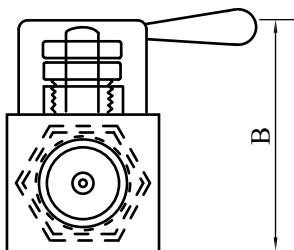
TFM-3PA BALL VALVE

http://www.ptfe.com.tw E-mail:lanshiuon@ptfe.com.tw
http://www.seal-ptfe.com

Mm Tube Type					
NO.	OD x ID			A	B
3PA-N002	3x2	4x2	4x3	65	38
3PA-N004	6x4			70	38
3PA-N006	8x6			70	38
3PA-N008	10x8			85	58
3PA-N0010	12x10			85	58
3PA-N0016	19x15.8			115	73
3PA-N0022	25x22			125	80
Inch Tube Type					
NO.	OD x ID			A	B
3PA-I002	3x2	4x2	4x3	65	38
3PA-I004	1/8"x0.086"			65	38
3PA-I006	1/4"x5/32"			70	38
3PA-I008	3/8"x1/4"			85	58
3PA-I0010	1/2"x3/8"			85	58
3PA-I0016	3/4"x5/8"			115	73
3PA-I0022	1"x7/8"			125	80

	KIMDS	PART NAME	MATERIAL
液體接觸部份	①	BODY	TFM
	③	CAP	TFM
	⑦	UNION NUT	TFM
	⑧	PRIMARY SEAL	PTFE
	⑨	SEAT	PTFE
	⑩	TUBE	PFA, PTFE, FEP

* TFM-3PA BALL VALVE
功能特點, 主要液體流通
不殘留在 BALL VALVE
裡, 且內襯 SEAT 設計可
替換, 管內液體流通, 可承
受較高壓力。



3-WAY BALL VALVES

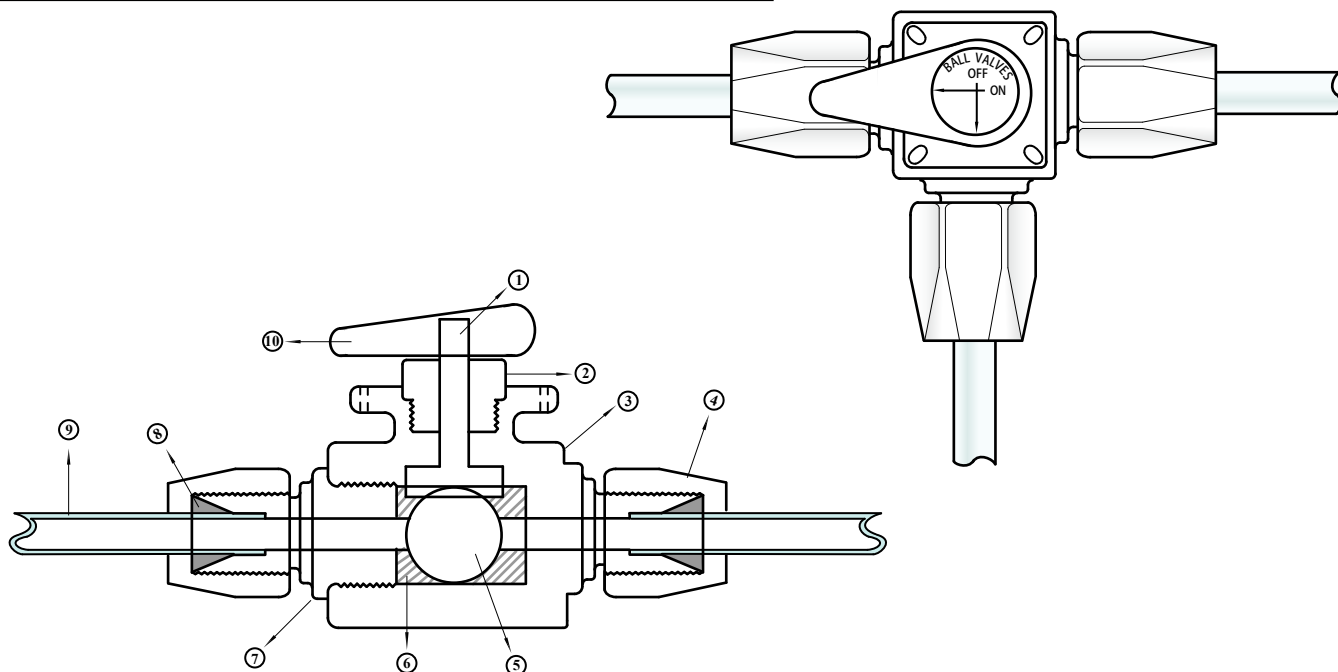
http://www.ptfe.com.tw E-mail:lanshiuon@ptfe.com.tw
http://www.seal-ptfe.com

用途：藥物劑
溶劑
純水輸送
半導體連接
各種化學工業液體

ITEM	PART NAME	MATERIAL
①	STEM	PEEK , PCTFE , PVDF
②	GLAND	TFM
③	BODY	TFM
④	CAP	TFM
⑤	BALL	PEEK , PCTFE , PVDF
⑥	SEAT	PTEE
⑦	UNION NUT	TFM
⑧	PRIMARY SEAL	PTEE
⑨	TUBE	PFA , PTFE , FEP
⑩	HANDLE	PVDF , POM

型式	Change Ball valve
操作方式	Hand pneumatic electromagnetic valve
動作	Stem90°
最高使用壓力	0.7mpa
最高使用溫度	120°C
最低使用溫度	-50°C
常態使用溫度	60°C

	KIMDS	PART NAME	MATERIAL
液體接觸部份	⑦	UNION NUT	TFM
	⑨	TUBE	PFA , PTFE , FEP
	⑥	SEAT	PTEE
	⑤	BALL	PEEK , PCTFE , PVDF
	①	STEM	PEEK , PCTFE , PVDF
	③	BODY	TFM



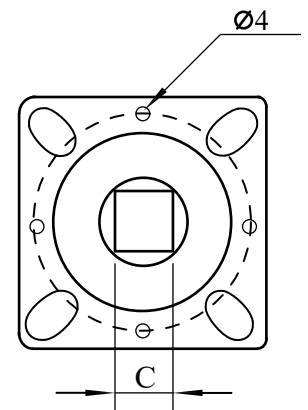
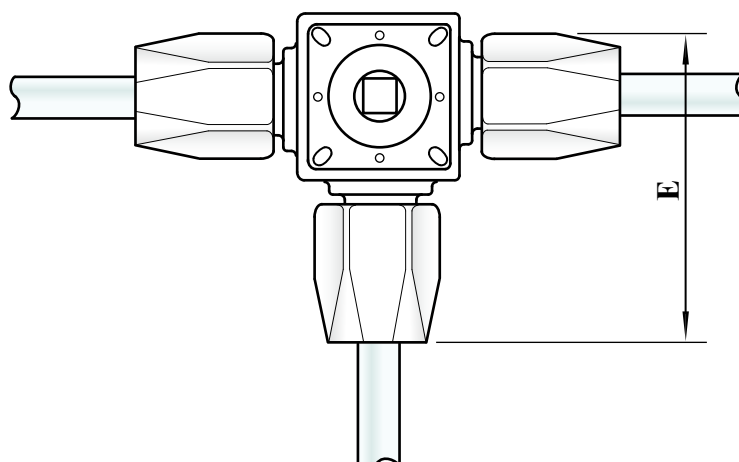
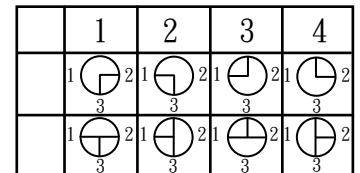
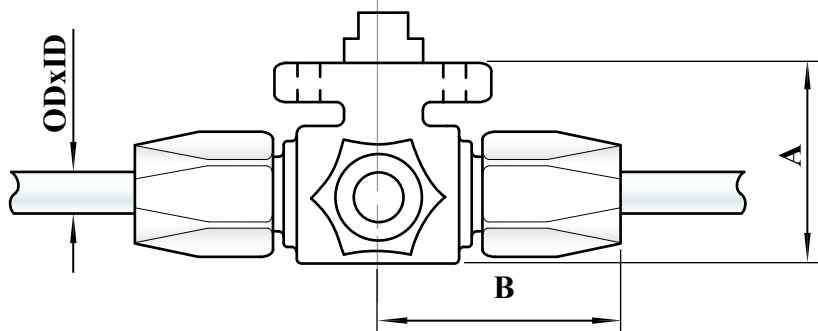
3-WAY BALL VALVES

http://www.ptfe.com.tw
http://www.seal-ptfe.com

E-mail: lanshiuon@ptfe.com.tw

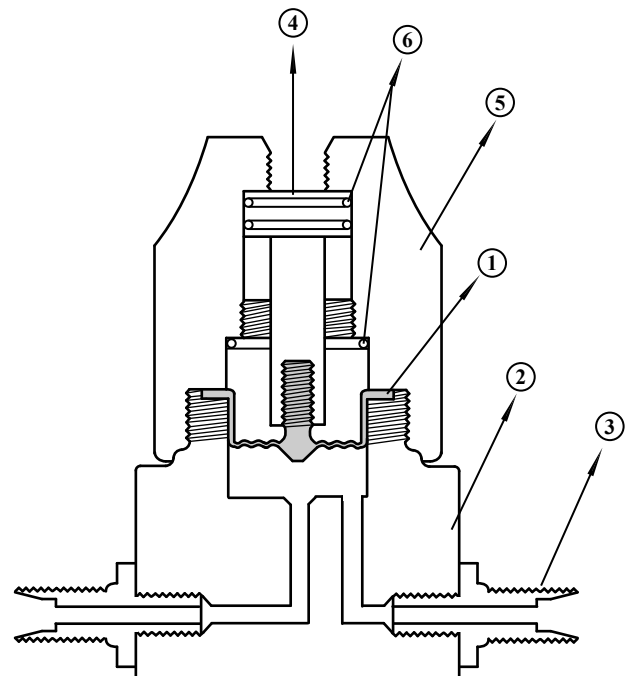
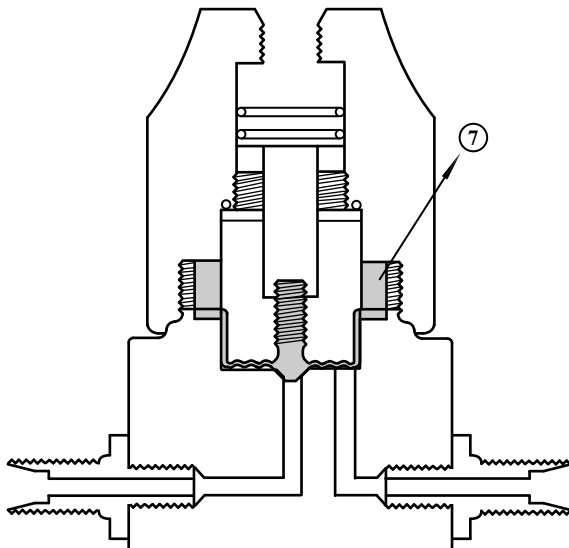
Mm Tube Type						
NO.	OD x ID	A	B	C	E	D-ISO-5211E
3PAB-N002	4x2	40	30	9	56	F03/F04
3PAB-N004	6x4	47	33	9	61	F03/F04
3PAB-N006	8x6	60	50	9	61	F03/F04
3PAB-N008	10x8	60	50	9	68	F03/F04
3PAB-N0010	12x10	60	50	9	85	F03/F04
3PAB-N0016	19x15.8	60	56	9	85	F03/F04
3PAB-N0022	25x22	75	70	11	105	F04/F05
Inch Tube Type						
NO.	OD x ID	A	B	C	E	D-ISO-5211E
3PAB-I004	1/8"x0.086"	40	30	9	56	F03/F04
3PAB-I006	1/4"x5/32"	47	33	9	61	F03/F04
3PAB-I008	3/8"x1/4"	60	50	9	61	F03/F04
3PAB-I0010	1/2"x3/8"	60	50	9	68	F03/F04
3PAB-I0016	3/4"x5/8"	60	56	9	85	F03/F04
3PAB-I0022	1"x7/8"	75	70	11	105	F04/F05

* 3-WAY Ball Valves 設計可提供手動式, 電磁閥式及氣動式操作功能!



ITEM	PART NAME	MATERIAL
①	DIAPHRAGM	TFM
②	BODY	TFM
③	UNION NUT	TFM
④	PULL ROD	PVDF
⑤	CYLINDER	PVDF,PP
⑥	O-RING	VITFE
⑦	SEAL	PTFE

型式	Ball valve
操作方式	Hand
動作	Stem90°
最高使用壓力	0.7mpa
最高使用溫度	120°C
最低使用溫度	-50°C
常態使用溫度	60°C

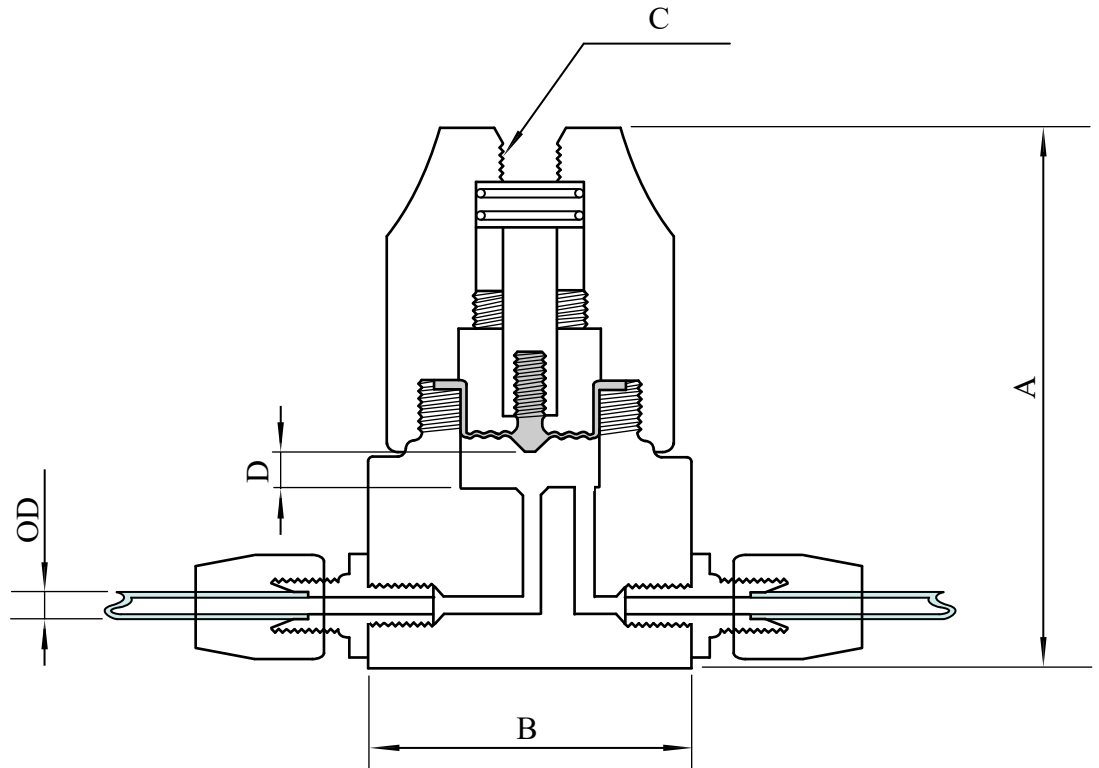
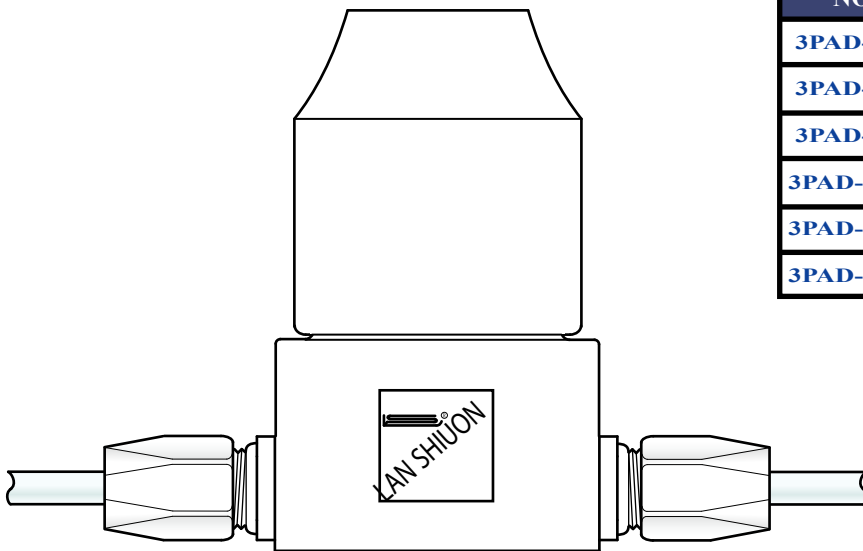


DIAPHRAGM VALVE

http://www.ptfe.com.tw E-mail:lanshiuon@ptfe.com.tw
http://www.seal-ptfe.com

用途：藥物劑
溶劑
純水輸送
半導體連接
各種化學工業液體

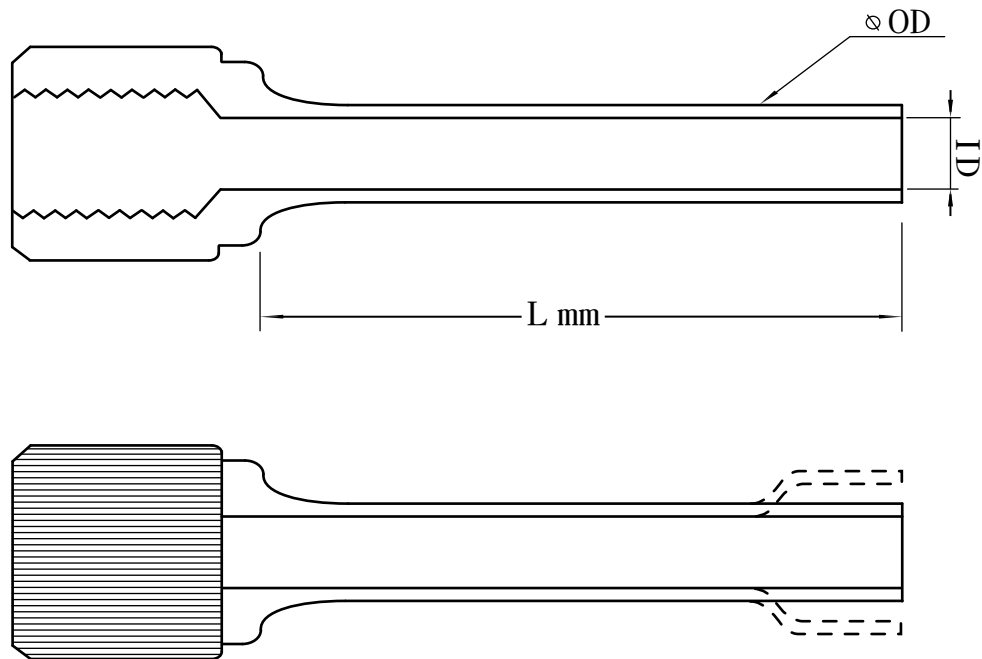
Mm Tube Type					
NO.	OD x ID	A	B	C.NPT	D
3PAD-N002	4x2	60	48	1/4"	1.5
3PAD-N004	6x4	70	48	1/4"	1.5
3PAD-N006	8x6	70	50	1/2"	2
3PAD-N008	10x8	96	50	1/2"	2
3PAD-N0010	12x10	96	56	1/2"	2
3PAD-N0016	19x15.8	110	70	1/2"	2.5
3PAD-N0022	25x22	125	85	1/2"	2.5
Inch Tube Type					
NO.	OD x ID	A	B	C.NPT	D
3PAD-I004	1/8"x0.086"	60	48	1/4"	1.5
3PAD-I006	1/4"x5/32"	70	48	1/4"	1.5
3PAD-I008	3/8"x1/4"	70	50	1/2"	2
3PAD-I0010	1/2"x3/8"	96	56	1/2"	2
3PAD-I0016	3/4"x5/8"	110	70	1/2"	2.5
3PAD-I0022	1"x7/8"	125	85	1/2"	2.5



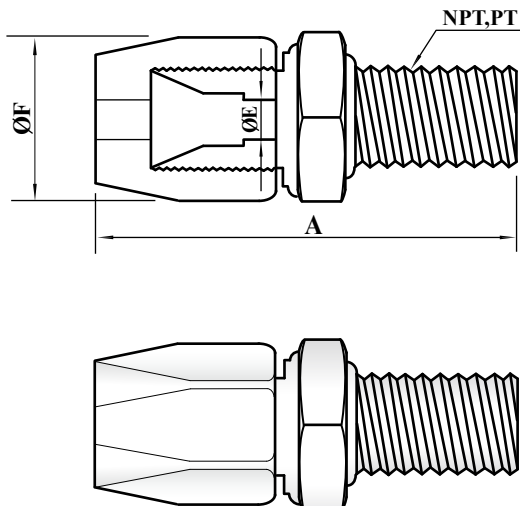
LENGTH NUT

<http://www.ptfe.com.tw> E-mail: lanshiuon@ptfe.com.tw
<http://www.seal-ptfe.com>

Mm Tube Type			
Size	OD mm	ID mm	L mm
RPAB-1/8"	3.17	2.1	45
RPAB-1/4"	6.35	4.35	60
RPAB-3/8"	9.52	6.35	80
RPAB-3/8"	9.52	7.52	
RPAB-1/2"	12.7	9.52	80
RPAB-1/2"	12.7	10.7	
RPAB-3/4"	19.05	16	100
RPAB-1"	25.4	22.2	120

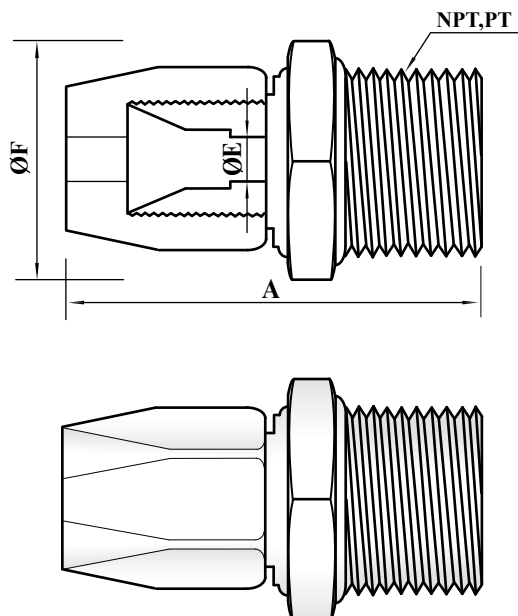


D-TYPE MALE CONNECTOR



mm Tube Type					
NO.	OD x ID	A	ØE	ØF	NPT,PT
D-WY001	3x2	30.8	2.1	12	1/8"
D-WY002	4x3	30.7	3.1	12	1/8"
D-WY003	6x4	35.5	4.2	16	1/4"
D-WY004	8x6	42.4	6.2	19	3/8"
D-WY005	10x8	50.7	8.1	19	3/8"
D-WY006	12x10	56	10.2	22	1/2"
D-WY007	19x15.8	68.4	16	38	3/4"
D-WY008	25x22	82	22.2	50	1"
Inch Tube Type					
NO.	OD x ID	A	ØE	ØF	NPT,PT
D-WY009	1/8"x0.086"	30.8	2.1	12	1/8"
D-WY0010	1/4"x5/32"	35.5	4.2	16	1/4"
D-WY0011	3/8"x1/4"	46.7	6.2	19	3/8"
D-WY0012	1/2"x3/8"	56	10.2	22	1/2"
D-WY0013	3/4"x5/8"	68.4	16	38	3/4"
D-WY0014	1"x7/8"	82	22.2	50	1"

D-TYPE MALE CONNECTOR

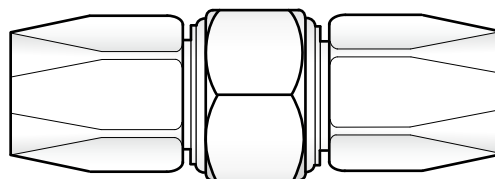
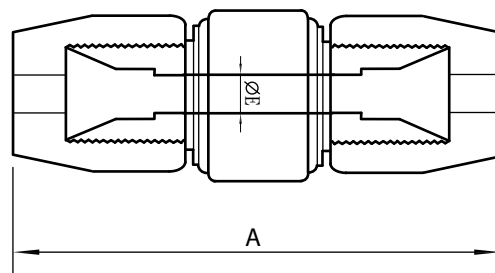


mm Tube Type					
NO.	OD x ID	A	ØE	ØF	NPT,PT
D-WY0015	3x2	30.8	2.1	12	1/4"
D-WY0016	4x3	30.7	3.1	12	1/4"
D-WY0017	6x4	35.5	4.2	16	1/8", 1/2"
D-WY0018	8x6	42.4	6.2	19	1/2", 3/4"
D-WY0019	10x8	50.7	8.1	19	1/2", 3/4"
D-WY0020	12x10	56	10.2	22	3/4"
D-WY0021	19x15.8	68.4	16	38	1"
D-WY0022	25x22	82	22.2	50	1"
Inch Tube Type					
NO.	OD x ID	A	ØE	ØF	NPT,PT
D-WY0023	1/8"x0.086"	30.8	2.1	12	1/4"
D-WY0024	1/4"x5/32"	35.5	4.2	16	3/8"
D-WY0025	3/8"x1/4"	46.7	6.2	19	1/2"
D-WY0026	1/2"x3/8"	56	10.2	22	3/4"
D-WY0027	3/4"x5/8"	68.4	16	38	1"
D-WY0028	1"x7/8"	82	22.2	50	1"

☞ 公司已停產或特殊場
 合UNION滿足客戶需
 求。

* UNION設計採用TFM分子強化
 本能, 延伸強度, 更改主體強化不
 曲變性。
 壁厚更增加耐溫及高壓性。連結
 中可重複使用, 容易反覆拆裝。

mm Tube Type			
NO.	OD x ID	A	ØE
E-WY100	3x2	36.6	2.1
E-WY101	4x3	36.4	3.1
E-WY102	6x4	46	4.4
E-WY103	8x6	51.8	6.5
E-WY104	10x8	60.4	8
E-WY105	12x10	67	10
E-WY106	19x15.8	88.8	16
E-WY107	25x22	105	22.2
Inch Tube Type			
NO.	OD x ID	A	ØE
E-WY108	1/8"x0.086"	36.6	2.1
E-WY109	1/4"x5/32"	46	4.4
E-WY110	3/8"x1/4"	60.4	8
E-WY111	1/2"x3/8"	67	10
E-WY112	3/4"x5/8"	88.8	16
E-WY113	1"x7/8"	105	22.2

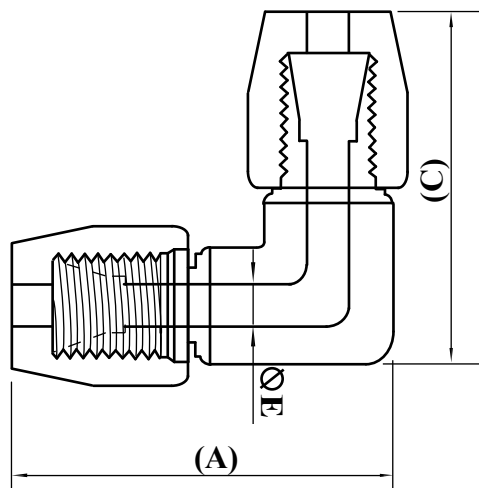


L-TYPE UNION ELBOW

http://www.ptfe.com.tw E-mail:lanshiuon@ptfe.com.tw
 http://www.seal-ptfe.com

公司可針對客戶
 需求 UNION 規
 格尺寸特殊對換。
 完成一定的滿意
 度。

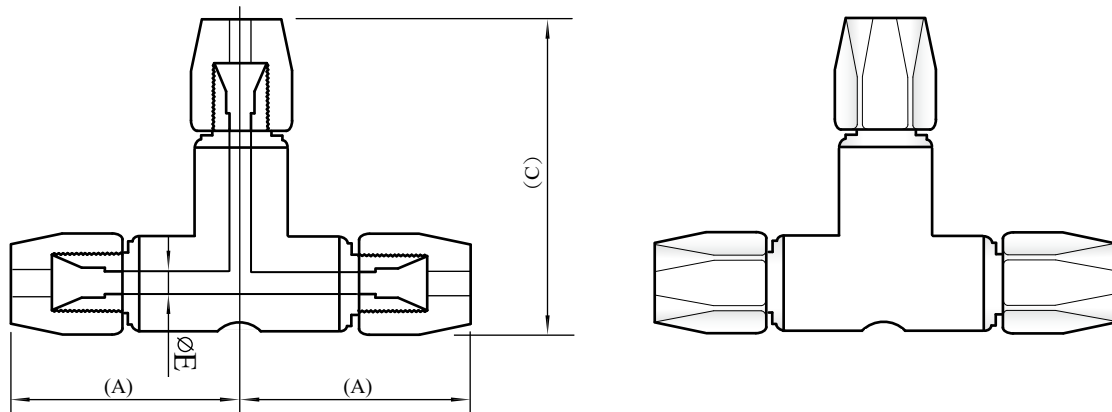
mm Tube Type				
NO.	OD x ID	(A)	(C)	ØE
L-WY010	3x2	22.8	22.8	2.1
L-WY011	4x3	22.7	22.7	3.1
L-WY012	6x4	30	30	4.4
L-WY013	8x6	35.9	35.9	6.5
L-WY014	10x8	38.2	38.2	8
L-WY015	12x10	47	47	10
L-WY016	19x15.8	60.4	60.4	16
L-WY017	25x22	69	69	22.2
Inch Tube Type				
NO.	OD x ID	(A)	(C)	ØE
L-WY018	1/8"x0.086"	22.8	22.8	2.1
L-WY019	1/4"x5/32"	30	30	4.4
L-WY020	3/8"x1/4"	38.2	38.2	8
L-WY021	1/2"x3/8"	47	47	10
L-WY022	3/4"x5/8"	60.4	60.4	16
L-WY023	1"x7/8"	69	69	22.2



T-TYPE UNION TEE

<http://www.ptfe.com.tw> E-mail: lanshiuon@ptfe.com.tw
<http://www.seal-ptfe.com>

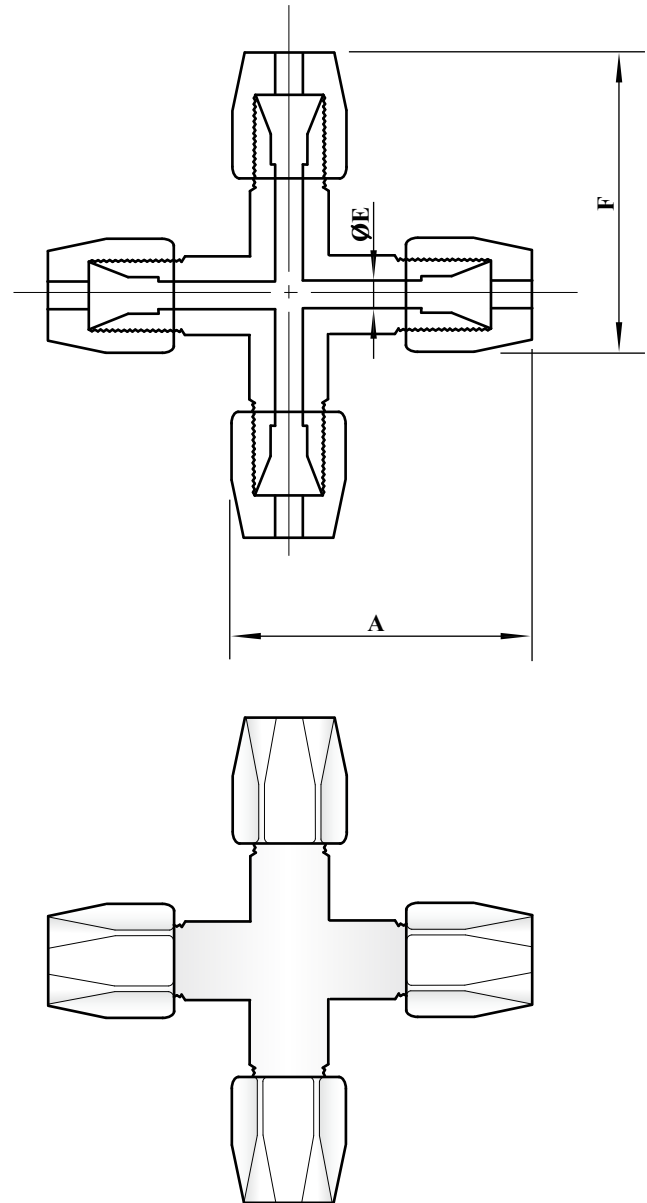
mm Tube Type				
NO.	OD x ID	(A)	(C)	ØE
T-WY201	3x2	22.8	22.8	2.1
T-WY202	4x3	22.7	22.7	3.1
T-WY203	6x4	30	30	4.4
T-WY204	8x6	35.9	35.9	6.5
T-WY205	10x8	38.2	38.2	8
T-WY206	12x10	47	47	10
T-WY207	19x15.8	60.4	60.4	16
T-WY208	25x22	69	69	22.2
Inch Tube Type				
NO.	OD x ID	(A)	(C)	ØE
T-WY209	1/8"x0.086"	22.8	22.8	2.1
T-WY210	1/4"x5/32"	30	30	4.4
T-WY211	3/8"x1/4"	38.2	38.2	8
T-WY212	1/2"x3/8"	47	47	10
T-WY213	3/4"x5/8"	60.4	60.4	16
T-WY214	1"7/8"	69	69	22.2



X-TYPE UNION

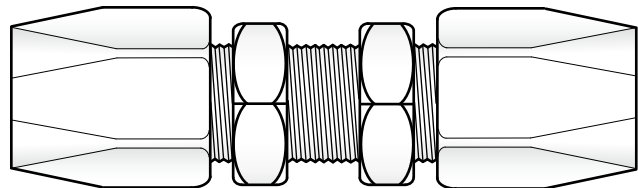
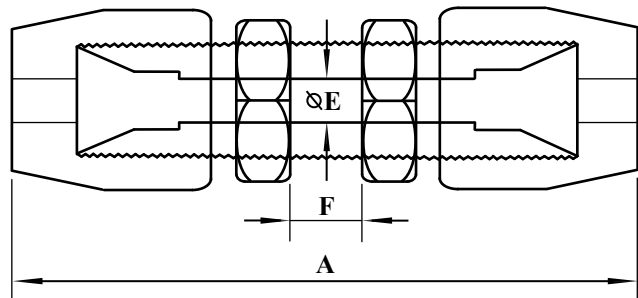
<http://www.ptfe.com.tw> E-mail: lanshiuon@ptfe.com.tw
<http://www.seal-ptfe.com>

mm Tube Type				
NO.	OD x ID	A	ØE	F
X-WY111	3x2	22.8	2.1	22.8
X-WY112	4x3	22.8	3.1	22.8
X-WY113	6x4	30	4.3	30
X-WY114	8x6	35	6.3	35
X-WY115	10x8	38	8.2	38
X-WY116	12x10	47	10.2	47
X-WY117	19x15.8	60	16	60
X-WY118	25x22	69	22.2	69
Inch Tube Type				
NO.	OD x ID	A	ØE	F
X-WY119	1/8"x0.086"	22.8	2.1	22.8
X-WY120	1/4"x5/32"	30	4.3	30
X-WY121	3/8"x1/4"	38	7.6	38
X-WY122	1/2"x3/8"	47	9.6	47
X-WY123	3/4"x5/8"	60	16	60
X-WY124	1"x7/8"	69	22.2	69



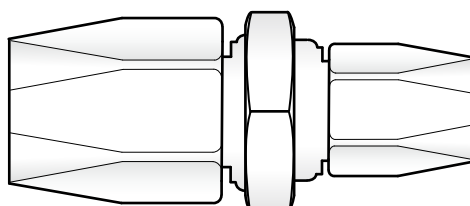
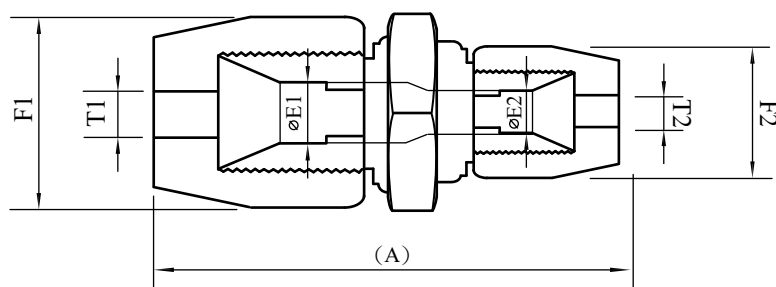
P-TYPE UNION

mm Tube Type				
NO.	OD x ID	A	ØE	F
P-WY111	3x2	40	2.1	3-5
P-WY112	4x3	40	3.1	
P-WY113	6x4	50	4.3	5-8
P-WY114	8x6	53	6.3	5-8
P-WY115	10x8	64	8.2	6-10
P-WY116	12x10	70	10.2	6-10
P-WY117	19x15.8	95	16	8-12
P-WY118	25x22	115	22.2	8-12
Inch Tube Type				
NO.	OD x ID	A	ØE	F
P-WY119	1/8"x0.086"	40	2.1	3-5
P-WY120	1/4"x5/32"	50	4.3	5-8
P-WY121	3/8"	64	6.3	6-10
P-WY122	1/2"x3/8"	70	9.6	6-10
P-WY123	3/4"x5/8"	95	16	8-12
P-WY124	1"x7/8"	115	22.2	8-12



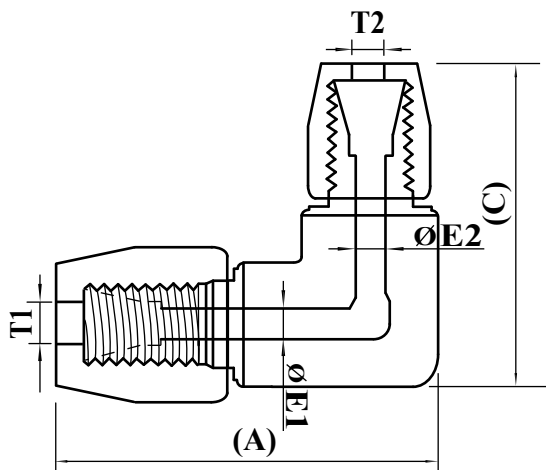
RE-TYPE REDUCING UNION

mm Tube Type							
NO.	T1	T2	(A)	ØE1	ØE2	F1	F2
RE-WY510	4x3	3x2	36.5	3.1	2.1	Ø12	Ø12
RE-WY511	6x4	3x2	41.3	4.3	3.1	16	Ø12
RE-WY512		4x3	41.2				
RE-WY513	8x6	3x2	44.2	6.3	2.1	19	Ø12
RE-WY514		4x3	44.1		3.1		
RE-WY515		6x4	48.9		4.3		
RE-WY516	10x8	6x4	53.2	8.2	6.3	22	19
RE-WY517		8x6	56.1				
RE-WY518	12x10	6x4	56.5	10.2	4.3	27	16
RE-WY519		8x8	59.4		6.3		19
RE-WY520		10x8	63.7		8.2		22
RE-WY521	19x15.8	10x10	69	16	10.2	38	22
RE-WY522		12x10	69				27
RE-WY523	25x22	19x15.8	99.4	22.2	16	50	38
Inch Tube Type							
NO.	T1	T2	(A)	ØE1	ØE2	F1	F2
RE-WY524	1/4"x5/32"	1/8"x0.086"	41.3	4.3	2.1	16	Ø12
RE-WY525	3/8"x1/4"	1/4"x5/32"	53.2	8.3	4.3	22	16
RE-WY526	1/2"x3/8"	3/8"x1/4"	56.5	10.2	4.3	27	16
RE-WY527		1/4"x5/32"	63.7		8.2		22
RE-WY528	3/4"x5/8"	3/8"x1/4"	76.1	16	8.2	38	22
RE-WY529		1/2"x3/8"	79.4		10.2		27
RE-WY530	1"x7/8"	3/4"x5/8"	99.4	22.2	16	50	38



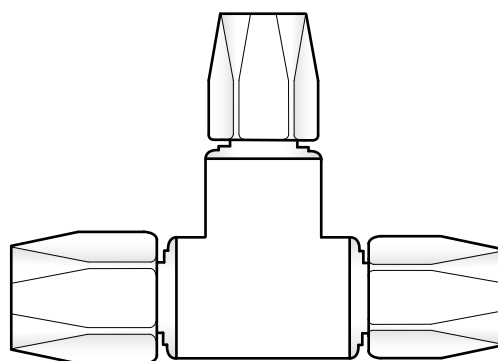
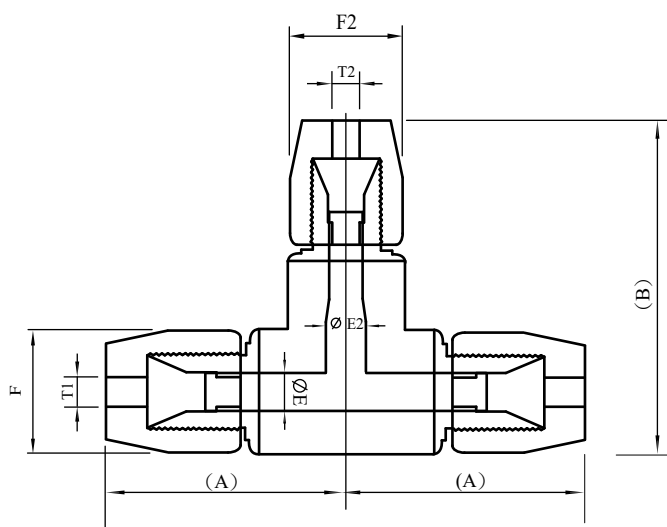
RL-TYPE REDUCING ELBOW

mm Tube Type						
NO.	T1	T2	(A)	(C)	ØE1	ØE2
RL-WY620	4x3	3x2	22.7	22.7	3.1	2.1
RL-WY621	10x8	6x4	38.2	38.2	8	4.4
RL-WY622	12x10	10x8	47	47	10	8
RL-WY623	19x15.8	12x10	60.4	60.4	16	10
RL-WY624	25x22	19x15.8	69	69	22.2	16
Inch Tube Type						
NO.	T1	T2	(A)	(C)	ØE1	ØE2
RL-WY625	3/8"x1/4"	1/4"x5/32"	38.2	38.2	8	4.4
RL-WY626	1/2"x3/8"	3/8"x1/4"	47	47	10	8
RL-WY627	3/4"x5/8"	1/2"x3/8"	60.4	60.4	16	10
RL-WY628	1"x7/8"	3/4"x5/8"	69	22.2	16	



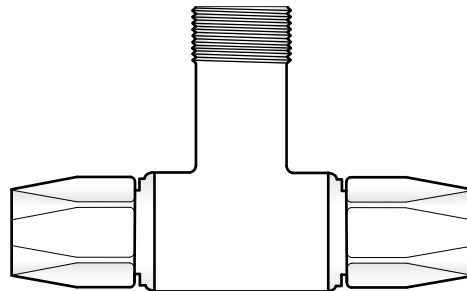
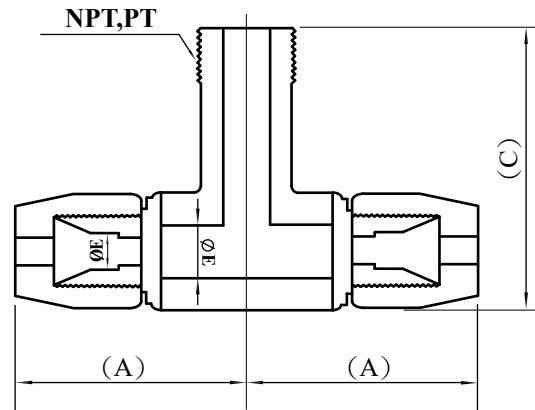
RT-TYPE REDUCING UNION TEE

mm Tube Type								
NO.	T1	T2	(A)	(C)	ØE1	ØE2	F1	F2
RT-WY620	4x3	3x2	22.7	22.8	3.1	2.1	Ø12	Ø12
RT-WY621	10x8	6x4	38.2	32	8	4.4	22	16
RT-WY622	12x10	10x8	47	41.2	10	8	27	22
RT-WY623	19x15.8	12x10	60.4	52	16	10	38	27
RT-WY624	25x22	19x15.8	69	69	22	16	50	38
Inch Tube Type								
NO.	T1	T2	(A)	(C)	ØE1	ØE2	F1	F2
RT-WY625	3/8"x1/4"	1/4"x5/32"	38.2	32	8	4.4	22	16
RT-WY626	1/2"x3/8"	3/8"x1/4"	47	41.2	10	8	27	22
RT-WY627	3/4"x5/8"	1/2"x3/8"	60.4	52	16	10	38	27
RT-WY628	1"x7/8"	3/4"x5/8"	69	69	22	16	50	38



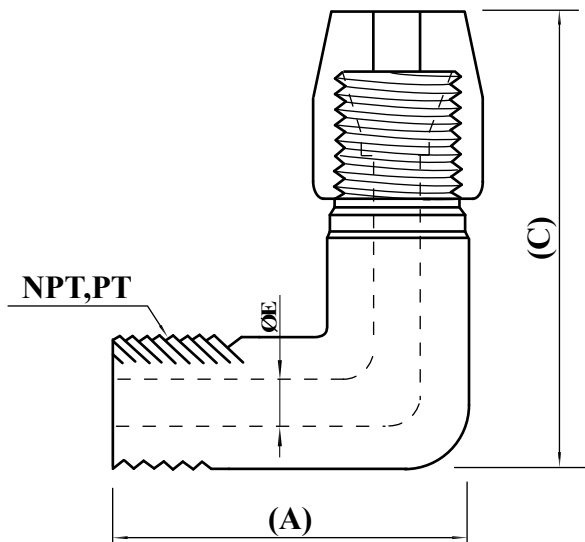
DT-TYPE MALE CONNECTOR

mm Tube Type						
NO.	OD x ID	(A)	(C)	ØE	F	NPT,PT
T-WY201	3x2	22.8	22.8	2.1	Ø12	1/8"
T-WY202	4x3	22.7	22.7	3.1		
T-WY203	6x4	30	30	4.4	16	1/4"
T-WY204	8x6	35.9	35.9	6.5	19	3/8"
T-WY205	10x8	38.2	38.2	8	22	3/8"
T-WY206	12x10	47	47	10	27	1/2"
T-WY207	19x15.8	60.4	60.4	16	38	3/4"
T-WY208	25x22	69	69	22.2	50	1"
Inch Tube Type						
NO.	OD x ID	(A)	(C)	ØE	F	NPT,PT
T-WY209	1/8"x0.086"	22.8	22.8	2.1	Ø12	1/8"
T-WY210	1/4"x5/32"	30	30	4.4	16	1/4"
T-WY211	3/8"x1/4"	38.2	38.2	8	22	3/8"
T-WY212	1/2"x3/8"	47	47	10	27	1/2"
T-WY213	3/4"x5/8"	60.4	60.4	16	38	3/4"
T-WY214	1"x7/8"	69	69	22.2	50	1"

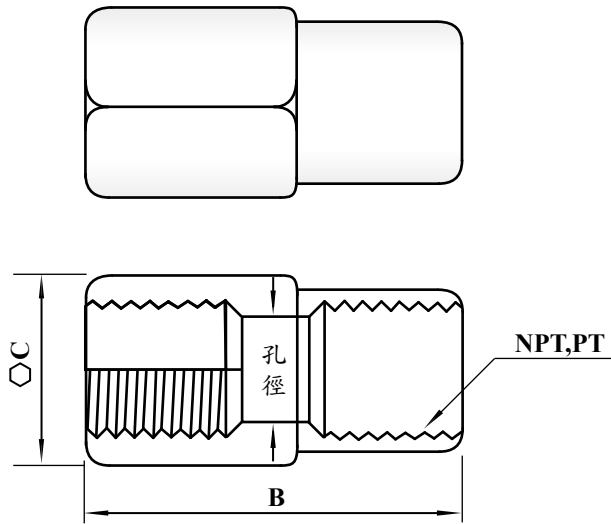


L-TYPE MALE CONNECTOR

mm Tube Type					
NO.	OD x ID	(A)	(C)	ØE	NPT,PT
L-WY110	3x2	22.8	22.8	2.1	1/8"
L-WY111	4x3	22.7	22.7	3.1	
L-WY112	6x4	30	30	4.4	1/4"
L-WY113	8x6	35.9	35.9	6.5	3/8"
L-WY114	10x8	38.2	38.2	8	3/8"
L-WY115	12x10	47	47	10	1/2"
L-WY116	19x15.8	60.4	60.4	16	3/4"
L-WY117	25x22	69	69	22.2	1"
Inch Tube Type					
NO.	OD x ID	(A)	(C)	ØE	NPT,PT
L-WY118	1/8"x0.086"	22.8	25.8	2.1	1/8"
L-WY119	1/4"x5/32"	30	33	4.4	1/4"
L-WY120	3/8"x1/4"	38.2	42.2	8	3/8"
L-WY121	1/2"x3/8"	47	52	10	1/2"
L-WY122	3/4"x5/8"	60.4	66.4	16	3/4"
L-WY123	1"x7/8"	69	77	22.2	1"

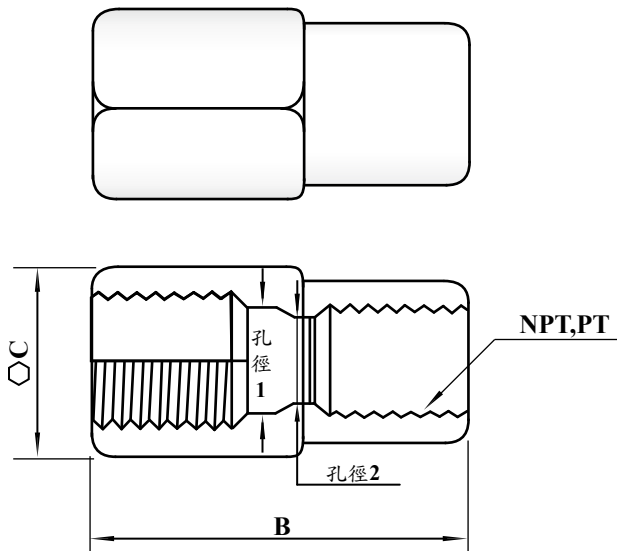


內牙 E-TYPE UNION



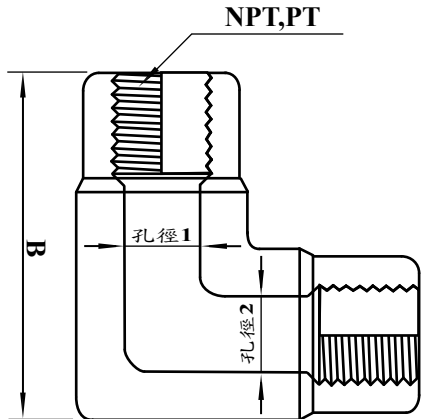
NO.	NPT,PT	B	C	孔徑
E-ZX101	1/8"	28	20	6
E-ZX102	1/4"	34	28	8
E-ZX103	3/8"	34	30	10
E-ZX104	1/2"	45	35	16
E-ZX105	5/8"	48	40	19
E-ZX106	3/4"	55	50	22
E-ZX107	1"	60	55	25

內牙 RE-TYPE REDUCING UNION



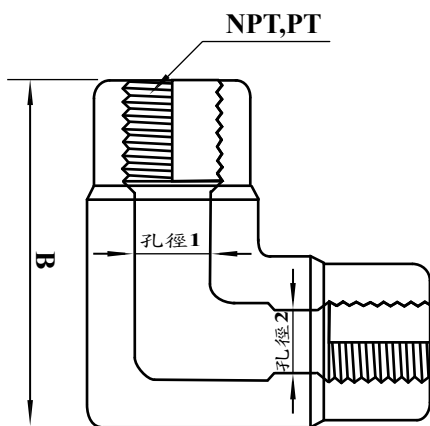
NO.	NPT,PT	B	C	孔徑1	孔徑2
RE-ZX211	1/4"	34	28	8	4.4
RE-ZX212	3/8"	34	30	10	6
RE-ZX213	1/2"	45	35	16	8
RE-ZX214	5/8"	48	40	19	10
RE-ZX215	3/4"	55	50	22	16
RE-ZX216	1"	60	55	25	19

內牙 L-TYPE UNION ELBOW



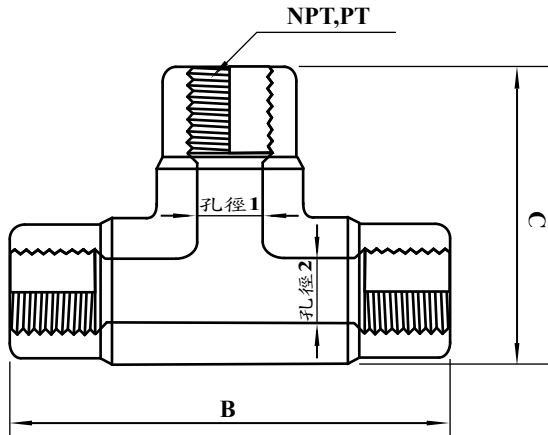
NO.	NPT,PT(H)	NPT,PT(G)	B	孔徑1	孔徑2
L-ZX320	1/8"	1/8"	29	6	6
L-ZX321	1/4"	1/4"	39	8	8
L-ZX322	3/8"	3/8"	42	10	10
L-ZX323	1/2"	1/2"	47	16	16
L-ZX324	5/8"	5/8"	56	19	19
L-ZX325	3/4"	3/4"	65	22	22
L-ZX326	1"	1"	70	25	25

內牙 RL-TYPE REDUCING UNION ELBOW



NO.	NPT,PT(H)	NPT,PT(G)	B	孔徑1	孔徑2
RL-ZX431	1/4"	1/4"	39	8	4.4
RL-ZX432	3/8"	3/8"	42	10	6
RL-ZX433	1/2"	1/2"	47	16	8
RL-ZX434	5/8"	5/8"	56	19	10
RL-ZX435	3/4"	3/4"	65	22	16
RL-ZX436	1"	1"	70	25	19

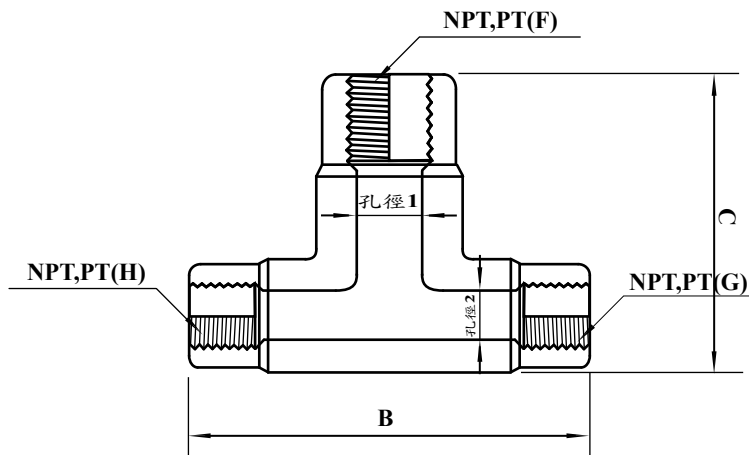
內牙 T-TYPE UNION TEE



NO.	NPT,PT	B	C	孔徑1	孔徑2
T-ZX540	1/8"	29	29	6	6
T-ZX541	1/4"	39	39	8	8
T-ZX542	3/8"	42	42	10	10
T-ZX543	1/2"	47	47	16	16
T-ZX544	5/8"	56	58	19	19
T-ZX545	3/4"	65	65	22	22
T-ZX546	1"	70	70	25	25

內牙 RT-TYPE REDUCING UNION TEE

NO.	NPT,PT(F)	NPT,PT(H)	NPT,PT(G)	B	C	孔徑1	孔徑2
RT-ZX651	1/4"	1/8"	1/8"	39	39	8	4.4
RT-ZX652	3/8"	1/4"	1/4"	42	42	10	6
RT-ZX653	1/2"	3/8"	3/8"	47	47	16	8
RT-ZX654	5/8"	1/2"	1/2"	56	58	19	10
RT-ZX655	3/4"	5/8"	5/8"	65	65	22	16
RT-ZX656	1"	3/4"	3/4"	70	70	25	19

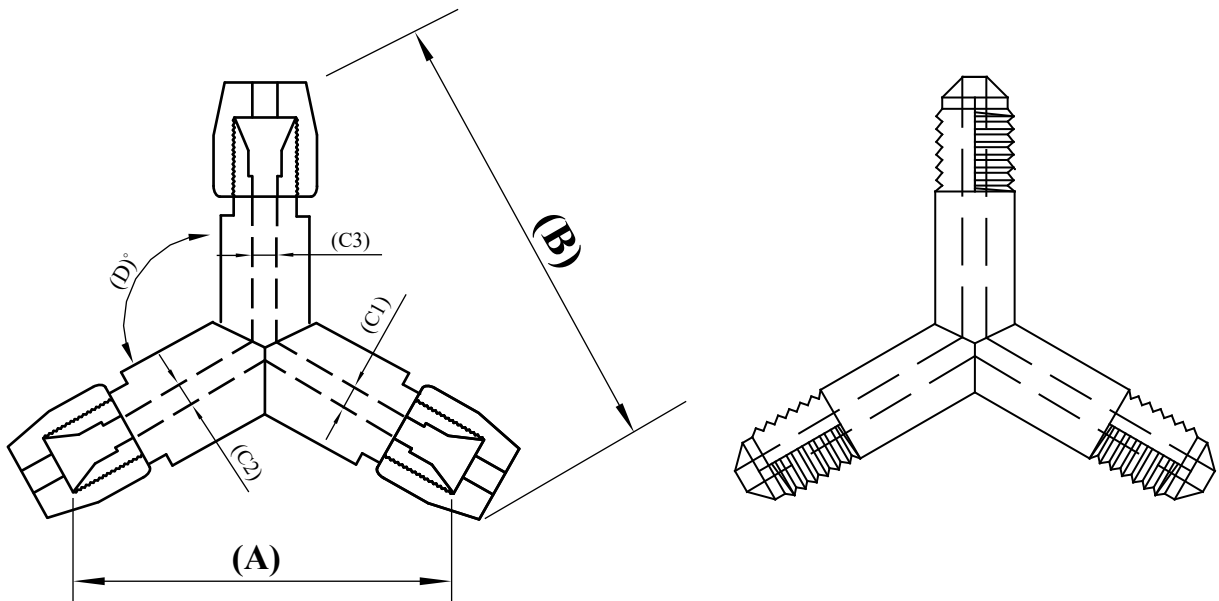


Y-TYPE UNION TEE

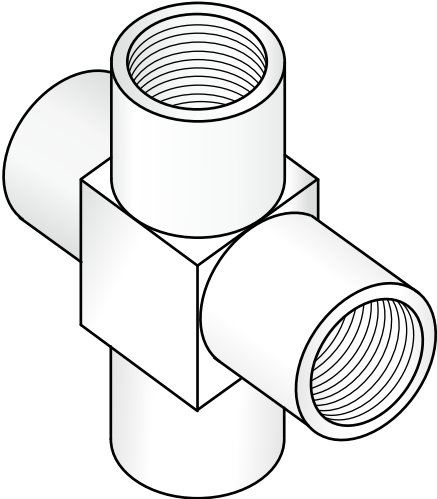
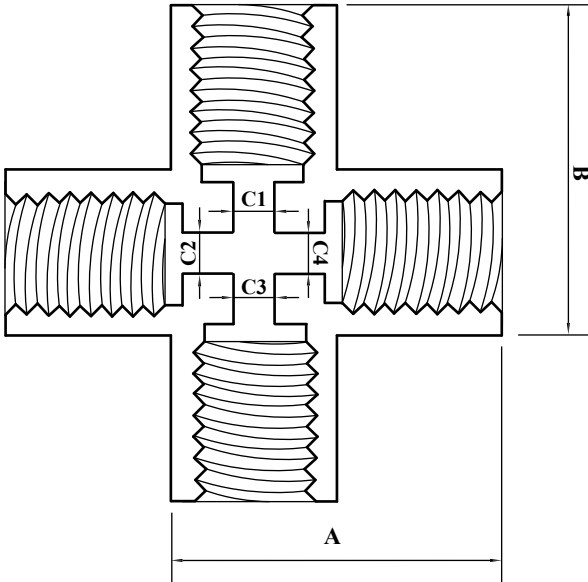
http://www.ptfe.com.tw E-mail:lanshiuon@ptfe.com.tw
 http://www.seal-ptfe.com

公司以優良技術幫助
 您完成需求的設計。

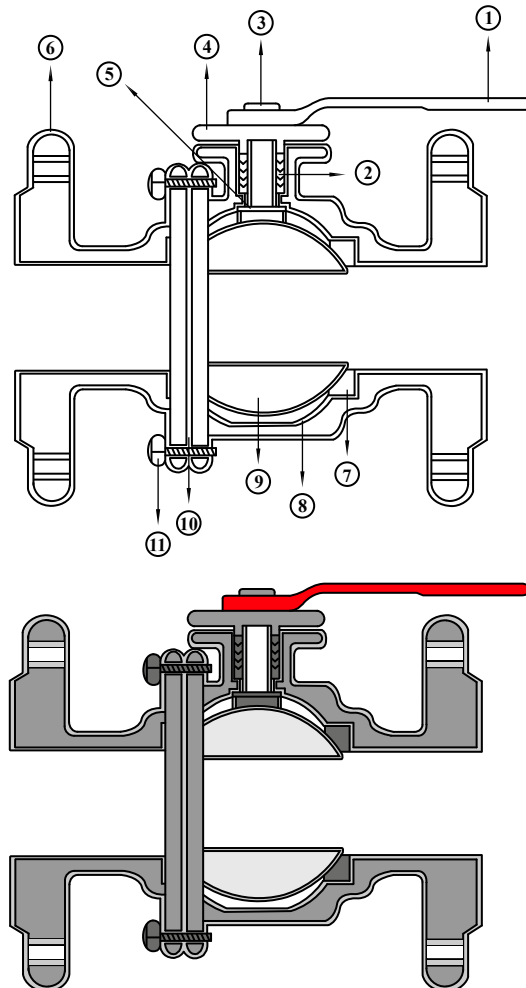
mm Tube Type					
NO.	OD x ID	(A)	(B)	ID Ø(C1.C2.C3)	(D)°
Y-WY801	3x2	24	24	2.1	120°
Y-WY802	4x3	24	24	3.1	
Y-WY803	6x4	36	36	4.4	
Y-WY804	8x6	42	42	6.5	
Y-WY805	10x8	48	48	8	
Y-WY806	12x10	56	56	10	
Y-WY807	19x15.8	78	78	16	
Y-WY808	25x22	69	69	22.2	
Inch Tube Type					
NO.	OD x ID	(A)	(C)	ID Ø(C1.C2.C3)	(D)°
Y-WY809	1/8"x0.086"	24	24	2.1	120°
Y-WY810	1/4"x5/32"	36	36	4.4	
Y-WY811	3/8"x1/4"	48	48	8	
Y-WY812	1/2"x3/8"	56	56	10	
Y-WY813	3/4"x5/8"	66	66	16	
Y-WY814	1"x7/8"	78	78	22.2	



Inch Tube Type				
NO.	OD×ID	(A)	(B)	ID Ø(C1.C2.C3.C4)
X-WY901	1/8"	20	20	2.1
X-WY902	1/4"	25	25	4.3
X-WY903	3/8"	30	30	6.3
X-WY904	1/2"	30	30	10
X-WY905	3/4"	35	35	16
X-WY906	1"	40	40	22.2



ITEM NO.	PART NAME	MATERIAL
①	HANDLE	FCD45
②	STEM PTCKING	PTEE
③	STEM	AISI304 AISI316
④	GLAND	A351-CF8
⑤	THRUST WASHER	TFM1600
⑥	COATING	ECTEE HALAR
⑦	SEAT	PTEE
⑧	COATING	ECTEE HALAR
⑨	BALL	A351CF8M
⑩	COATING	ECTEE HALAR
⑪	NUT	AUS304

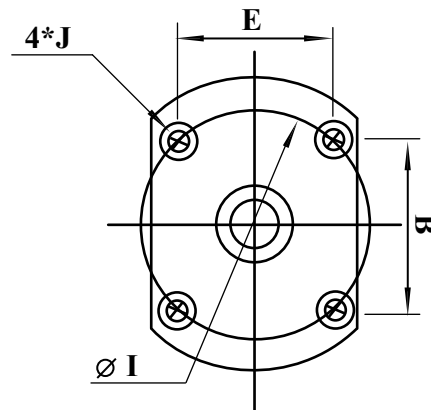
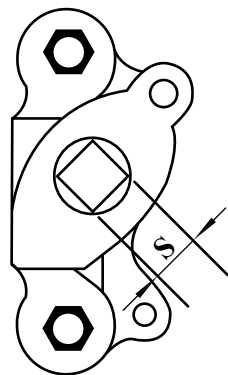
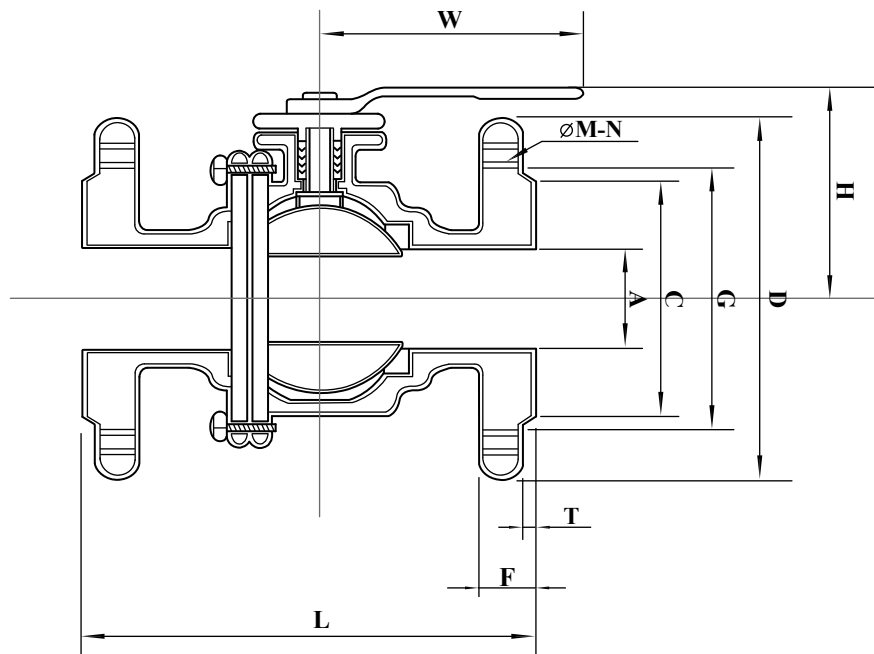


FLANGED BALL VALVE ECTFE HALAR

http://www.ptfe.com.tw E-mail:lanshiuon@ptfe.com.tw
 http://www.seal-ptfe.com

UNIT:INCH

SIZE	A	C	G	D	F	T	L	M	N	S	H	W	Weight (Lbs)	Torque Kg/cm ²
1/2"	0.50	1.38	2.38	3.50	0.44	0.06	4.25	0.62	4	0.39	3.15	5.12	4.7	50
3/4"	0.75	1.69	2.75	3.88	0.44	0.06	4.62	0.62	4	0.39	3.27	5.12	4.9	50
1"	1.00	2.00	3.12	4.25	0.44	0.06	5.00	0.62	4	0.47	3.82	6.30	6.8	70
1-1/2"	1.5	2.88	3.88	5.00	0.56	0.06	6.50	0.62	4	0.67	4.37	9.06	14.1	20
2"	2.00	3.62	4.75	6.00	0.62	0.06	7.00	0.75	4	0.67	4.65	9.06	18.2	240
2-1/2"	5.50	4.12	5.50	7.00	0.69	0.06	7.50	0.75	4	0.87	5.67	15.75	31.9	285
3"	3.00	5.00	6.00	7.50	0.75	0.06	8.00	0.75	4	0.87	6.06	15.75	42.3	300
4"	4.00	6.19	7.50	9.00	0.94	0.06	9.00	0.75	4	0.94	6.85	18.11	64.6	420



以 28~30天測試結果報告

☺ 微小變化 **INSIGNIFICANT**

顏色變化

☺ 不變化 **NO CHNGE**

☹ 少量褐色 **ANY SHADE OF TAN**

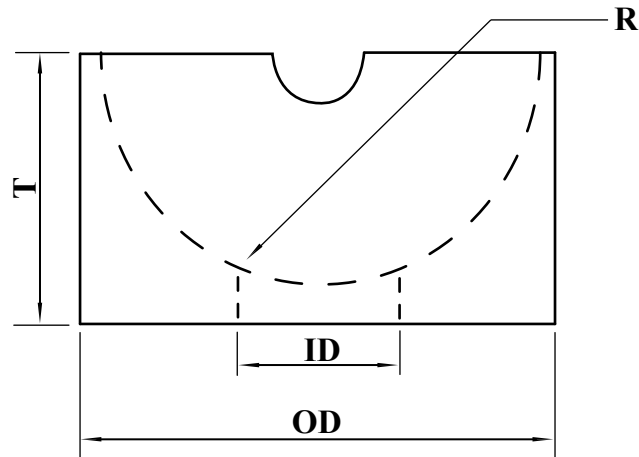
☹ 褐色或黑色 **BROWN OR BLACK**

CHEMICAL 化學名稱		TEST TEMP. °C 測試臨場 溫度	TENSILE STRENGTH 張力強度	ELONGATON 變化	WEIG HT GAIN,% 體積增重	COLOR CHANGE 顏色改變
Acetic Acid	醋酸	140	☺	☺	3	☺
Ammonium Hydroxide30%	氫氧化銨, 30%	140	☺	☺	1.2	☺
Butanol No,	丁醇鈉	121	☺	☺	1.9	☺
Chromic Acid,30%	鉻酸, 30%	100	☺	☺	0.0	☺
Hydrochloric Acid,37%	鹽酸, (37%)	100	☺	☺	0.7	☹
Hydrofluoric Acid,49%	氫氟酸, (37%)	100	☺	☺	0.2	☺
Hydrogen Peroxide,60%	過氧化氫(雙氧水), 60%	30	☺	☺	0.3	☺
Methanol	甲醇	50	☺	☺	0.4	☺
N-Methylpyrrolidone	鈉甲基酸	20	☺	☺	1.5	☺
Methylene Chloride	甲基氯化物	50	☺	☺	4.1	☺
Nitric Acid,10%	硝酸, 10%	121	☺	☺	0.4	☺
Nitric Acid,90%	硝酸, 90%	71	☺	☺	2.3	☺
Phosphoric Acid,85%	磷酸, 85%	140	☺	☺	-0.1	☺
Potassium Hydroxide,50%	氫氧化鉀, 50%	121	☺	☺	-0.1	☺
Propanol	丙醇	50	☺	☺	0.16	☺
Sodium Hydroxide,50%	氫氧化鈉,50%	132	☺	☺	-0.2	☺
Sodium Hypochlorite,5%	次氯酸鈉, 5%	121	☺	☺	0.1	☺
Sulfuric Acid,98%	硫酸,98%	121	☺	☺	0.7	☹
Toluene	甲苯	20	☺	☺	0.7	☺

CHANGE SEAT

<http://www.ptfe.com.tw> E-mail: lanshiuon@ptfe.com.tw
<http://www.seal-ptfe.com>

Inch	OD	ID	T	R
1/8"	10	12	6	10
1/4"	10	12	6	10
3/8"	13	15	7.5	13
1/2"	20	22	11	13
3/4"	30	33	16.5	20.5
1"	35	39	19.5	30



* 設計管類配件中PTFE BALL多數用於CHEAK(活塞逆止用)

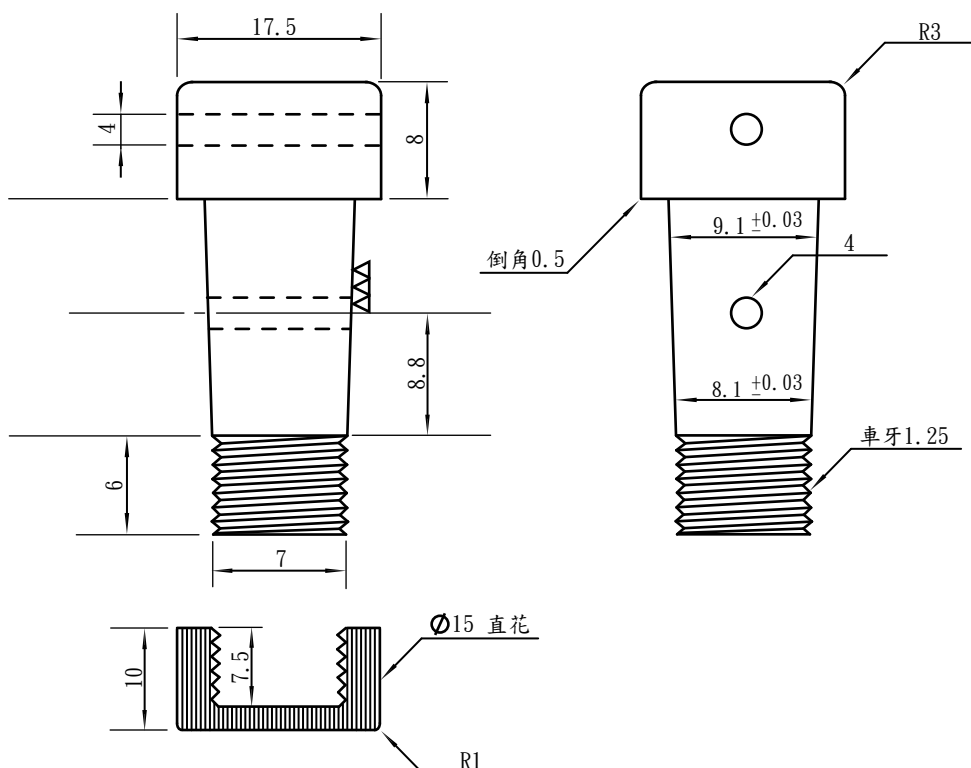
使用材質
100% PTFE
PTFE+GLASS FIBER
PTFE+CARBON

PTFE BALL		PTFE BALL		PTFE BALL	
1/8"	3.18	26.00	31/8"	79.37	
5/32"	3.97	27.00	31/4"	82.50	
3/16"	4.76	28.00		85.00	
7/32"	5.55	11/8"	28.57	33/8"	85.72
	6.00		30.00	31/2"	88.90
1/4"	6.35	11/4"	31.80		90.00
	7.00		32.00	35/8"	92.10
9/23"	7.14	13/8"	35.00		95.00
	7.50		38.00	33/4"	95.20
5/16"	7.93	11/2"	38.10	37/8"	98.42
	8.00		40.00		100.00
	8.50	15/8"	41.30	4"	101.60
11/32"	8.73		42.00	41/8"	104.77
	9.00	13/4"	44.50		105.00
3/8"	9.52		45.00	41/4"	108.00
	10.00	17/8"	47.62		110.00
13/32"	10.32		50.00	43/8"	111.12
	10.50	2"	50.80	41/2"	114.30
	11.00	21/8"	53.97		115.00
7/16"	11.11		55.00	45/8"	117.50
	11.50	21/4"	57.15		120.00
	12.00		60.00	43/4"	120.60
1/2"	12.70	23/8"	60.32	47/8"	123.82
	13.00	21/2"	63.50		125.00
	14.00		65.00	5"	127.00
9/16"	14.28	25/8"	66.70	51/2"	139.70
	15.00	23/4"	69.80		18.00
5/8"	15.90		70.00	3/4"	19.00
	16.00	27/8"	73.20		20.00
	17.00		75.00	13/16"	20.63
11/16"	17.46	3"	76.20	7/8"	22.20
1"	25.40		25.00	15/16"	23.81

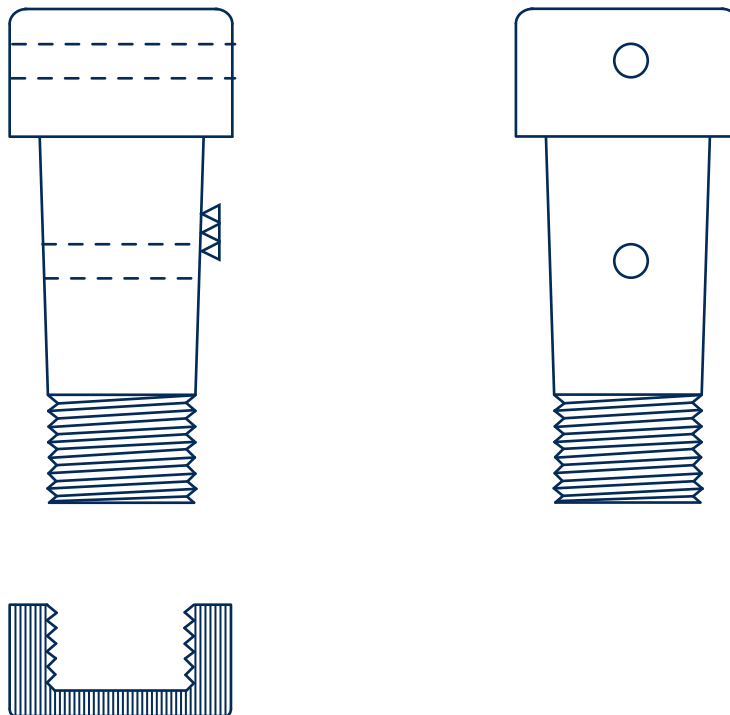
TFM-1PAL NEEDLE VALVES

ITEM	PART NAME	MATERIAL
①	HANDLE	PVDF , POM
②	GLAND	TFM
③	BODY	TFM
④	NEEDLE	PVDF , PEEK , PCTFE
⑤	CAP	TFM
⑥	TUBE	PTFE , TEA , FEP
⑦	PRIMAPY SEAL	PTEE
⑧	GLAND PACKING	PTEE

型式	L-needle Valves
操作方式	手動
動作	環繞360度
最高使用壓力	0.9mpa
最高使用溫度	120°C
最低使用溫度	-50°C
常態使用溫度	60°C



Mm Tube Type			
NO.	OD×ID	A	B
CPAB-N002	4×2		
CPAB-N004	6×4		
CPAB-N006	8×6		
CPAB-N008	10×8		
CPAB-N0010	12×10		
CPAB-N0016	19×15.8		
CPAB-N0022	25×22		
Inch Tube Type			
NO.	OD×ID	A	B
CPAB-I004	1/8"× 0.086"		
CPAB-I006	1/4"× 5/32"		
CPAB-I008	3/8"× 1/4"		
CPAB-I0010	1/2"× 3/8"		
CPAB-I0016	3/4"× 5/8"		
CPAB-I0022	1"× 7/8"		



Mm Tube Type			
NO.	OD x ID	A	B
CPAB-N002	4x2		
CPAB-N004	6x4		
CPAB-N006	8x6		
CPAB-N008	10x8		
CPAB-N0010	12x10		
CPAB-N0016	19x15.8		
CPAB-N0022	25x22		
Inch Tube Type			
NO.	OD x ID	A	B
CPAB-I004	1/8"x0.086"		
CPAB-I006	1/4"x5/32"		
CPAB-I008	3/8"x1/4"		
CPAB-I0010	1/2"x3/8"		
CPAB-I0016	3/4"x5/8"		
CPAB-I0022	1"x7/8"		

型式	Check valve
操作方式	Automatic
動作	Stem90°
最高使用壓力	0.7mpa
最高使用溫度	120°C
最低使用溫度	-50°C
常態使用溫度	60°C

